





USER MANUAL
/BETRIEBSANLEITUNG

WARNING

The following terms are used throughout the product literature to indicate various levels of potential harm when operating this product.

CAUTION: Procedures, which if not be properly followed, is able to create a possibility of physical property damage AND or possibility of injury.

 Read the **ENTIRE** instruction manual to become familiar with the features of the product before operating. Fail to operate the product correctly can result in damage to the product, personal property and cause serious injury.

 This is a sophisticated hobby product and **NOT a toy**. It must be operated with caution and common sense and requires some basic mechanical ability. Fail to operate this Product in a safe and responsible manner could result in injury or damage to the product or other property. This product is not intended for use by children without direct adult supervision. Do not attempt to disassemble, use with incompatible components or augment product in any way without the approval of MSG Online GmbH.

This manual contains instructions for safety, operation and maintenance. It is essential to read and follow all the instructions and warnings in the manual, prior to assembly, setup or use, in order to operate correctly and avoid damage or serious injury.

Age Recommendation: Not for children under 14 years. This is not a toy.

Safety Precautions

As the user of this product, you are solely responsible for operating in a manner that does not endanger yourself and others or result in damage to the product or the property of others.

- Always ensure all batteries have been properly charged before using the vehicle.
- Always check all servos, all the connections and all correct controll functions prior to each flight.
- Never operate your vehicle near spectators, parking areas or any other area that could result in injury to people or damage of property.
- Never operate your vehicle during adverse weather conditions. Poor visibility can cause disorientation and loss of control of your vehicle.
- Never point the transmitter antenna directly toward the vehicle. The radiation pattern from the tip of the antenna is inherently low.
- If at any time during the operation of your vehicle you observe any erratic or abnormal operation, immediately stop operation of your vehicle until the cause of the problem has been ascertained and corrected.
- Never fly if one of the control functions does not work correctly.

Battery Usage & Charging Warnings

CAUTION: All instructions and warnings must be followed exactly. Mishandling of Li-Po/Li-Ion/Ni-Mh batteries can result in fire, personal injury, and/or property damage.

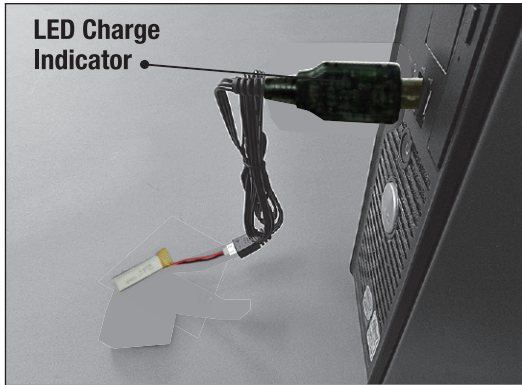
- The battery charger included with your plane(if there be) is designed to safely balance and charge the specific Li-Po/Li-Ion/Ni-Mh battery.

- By handling, charging or using the included battery, you shall assume all risks associated with Li-Po/Li-Ion/Ni-Mh battery.
- If at any time the battery begins to balloon or swell, discontinue the usage or charging immediately. If this circumstance arises while charging, you should disconnect the USB charging cable immediately from the current. Continue to use, charge or discharge a battery that is ballooning or swelling can result in fire.
- Always store the battery at room temperature in a dry area for best results.
- Always transport or temporarily store the battery in a temperature range of 40-120 Fahrenheit degrees (5-49 degrees centigrade). Do not store battery or your plane in a car or direct sunlight. If stored in a hot car, the battery can be damaged or even cause fire.
- Always charge a battery away from flammable materials.
- Always inspect the battery before charging and never charge damaged batteries.
- Always disconnect the battery after charging, and allow the charger cool before next charge.
- Always constantly monitor the temperature of the battery pack while charging.
- ONLY USE A CHARGER SPECIALLY DESIGNED TO CHARGE SPECIFIC BATTERIES.
- Never discharge Li-Po cells till below 3V under load.
- Never cover warning labels with hook or loop strips.
- Never leave charging batteries unattended.
- Never charge batteries outside recommended levels.
- Never attempt to dismantle or alter the charger.
- Never allow minors to charge battery packs.
- Never charge batteries in extremely hot or cold places (recommended between 40-120 Fahrenheit degrees / 5-49 degrees centigrade) or in direct sunlight.
- Never charge or store the battery in the model.
- Always remove the battery after your flight.
- Never charge the battery without supervision.

Box Contents

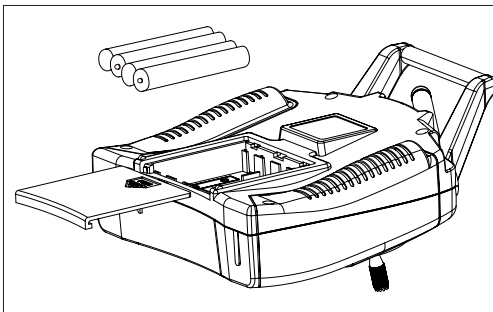


Charging Instruction

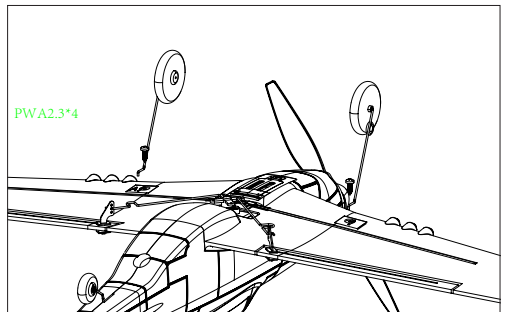


1. Unplug the battery from your plane.
2. Carefully plug the charger into the USB port on your computer or USB adapter.
3. Connect battery into the charger.
4. The charging process takes about 3.5 hours. For safety reasons, never charge the battery for longer than 4 hours.
5. While charging, the red LED indicator will be flashing. When the charging is finished, the red LED will be off.
6. Disconnect the battery from the USB charger and the charging cable from the USB board.

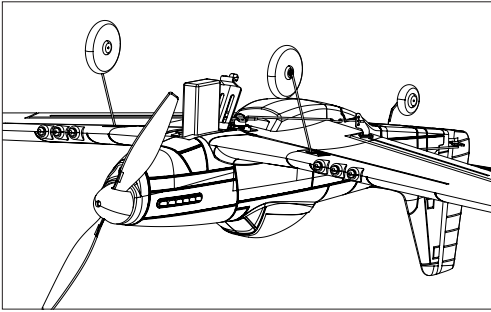
Setup Instruction



1. Install 4 AA batteries(not included) in the transmitter.



2. Plug the landing gears into the fuselage as shown above, and tighten with 2pcs screws.



3. Connect the battery to the receiver, then stick the battery into the cabin, making sure the battery is well secured.

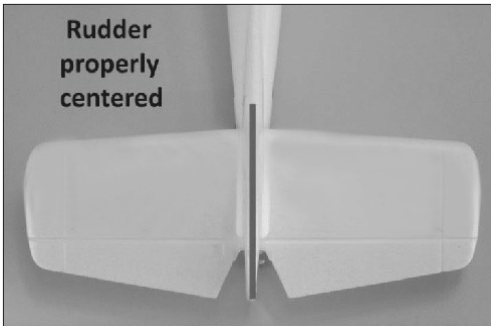


4. Setup is done. Make sure you read and follow all instructions in this manual before start flying the airplane.

Center Control Surfaces

With the transmitter turned on and the battery connected to the ESC (and installed in the battery compartment), it is now possible to check the center of all control surfaces.

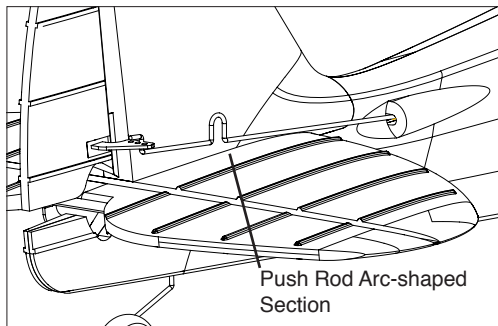
Notice: Switch the gyro to expert level when you operate the below steps.



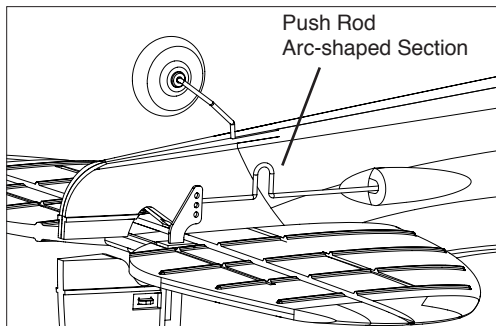
Observe the rudder to ensure it is properly centered as shown below.



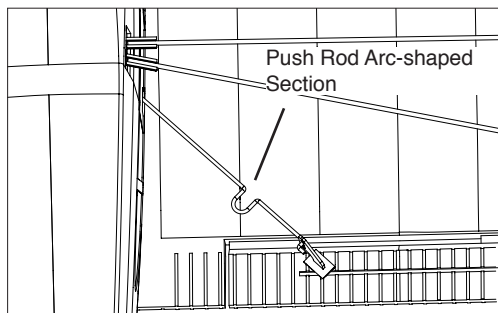
Then observe the elevator to ensure it is properly centered as shown below.



If the rudder is angled off to the right or left, adjust the push rod by its arc-shaped section slightly, making sure the rudder is properly centered.

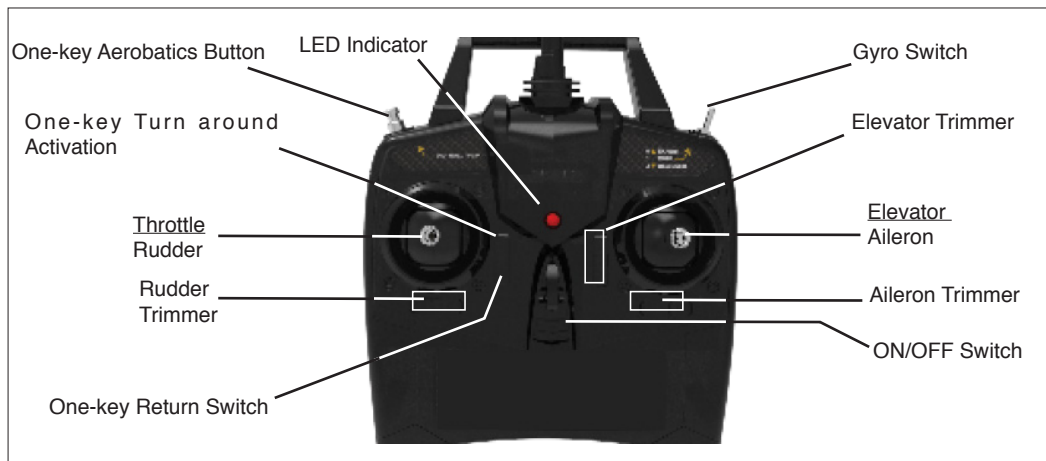


If the elevator is angled off to the upper or lower position, adjust the push rod by its arc-shaped section slightly, making sure the elevator is properly centered.

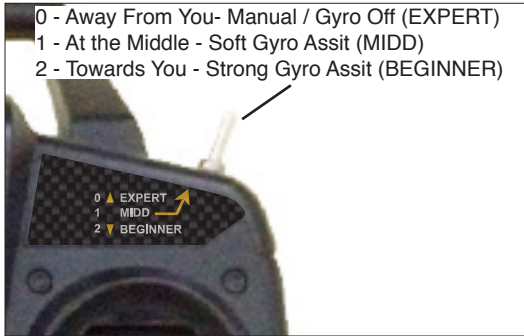


If the aileron is angled off to the upper or lower position, adjust the push rod by its arc-shaped section slightly, making sure the aileron is properly centered.

Transmitter Instruction



Gyro Switch



The T-28 Trojan comes with pre-installed Gyro to help control flying easily.

The switch is with 3 levels to control the Gyro. To turn on the Gyro, switch to upper position(towards you). To turn off the Gyro, switch to lower position(away from you).

CAUTION: It is strongly suggested to turn on Gyro while flying the airplane.

Binding Instruction

Binding is the process of programming the receiver to recognize the GUID (Globally Unique Identifier) code of a single specific transmitter. When a receiver is bound to a transmitter, the receiver will only respond to that specific transmitter.

If you need to rebind for any reason, please follow these steps:

1.Keep the transmitter switched OFF, throttle joystick at bottom position.

NOTICE: Keep Gyro switch at Middle or Beginner position.

NOTICE: Keep the plane still in a calm environment for calculating the Gyro.

2.Connect the battery to the plane, then turn on the transmitter within 5 seconds.

3.The receiver LED will flash for 3-8 seconds to bind automatically.

4.After the receiver LED stop flashing, it means the binding process is done.

Follow below steps when you operate a bound plane:

1.Power on transmitter first.

2.Connect the battery to the plane within 3 seconds.

3.The receiver LED in plane will flash and then turn to solid in several seconds.

4.Switch the Gyro control stick to Gyro assist level(MIDD or BEGINNER).

NOTICE: Allow the airplane stay still about 3~5 seconds in a calm environment when you first time turn on Gyro, in order to calibrate and activate the Gyro. When the Gyro starts to react, means it is activated.

5.Turn throttle stick up to max and then down to min to arm the motor.

CAUTION: Do **NOT** operate around people or property, otherwise it may cause serious damage!

Throttle Unlock(Arming)

To prevent from damages, the throttle channel is locked each time when powering on your transmitter. Follow below instruction to unlock the throttle.

CAUTION: Keep the propeller in distance for your safety.

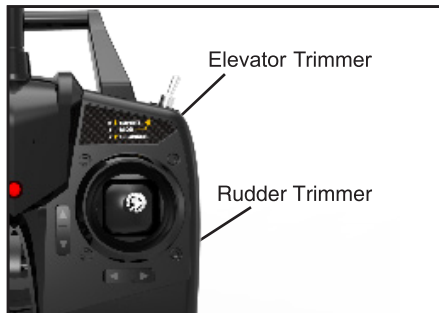
Turn the throttle stick up to max position until you hear a "beep" sound. Then turn the throttle stick down to min position until you hear a "beep" sound.

Now the throttle is unlocked.

Digital Trims

Digital trims allow to adjust the centered position of rudder or elevator surfaces.

Each time when a trimmer is moved, the servo output will change one step. If the trimmer is held, the output will scroll in that direction until the trimmer is released or the output reaches its end. When you hear a short "beep" sound, it means the trimmer is centered.



Channels Reactions Checking

Transmitter Operaton	Reaction

Swing The Plane	Gyro Reaction

Place your plane in a neutral position, follow below steps to check the channels reactions. Move the sticks(except the throttle stick) to see if all servo surfaces react correctly as shown in the left diagram(left throttle for example). Swing your plane to check if all servo surfaces react correctly as shown in the right diagram.

One-key Aerobatics Instruction

The one-key aerobatics feature allows beginner pilot to perform aerobatic actions by simply pressing the button on transmitter. During flight, under gyro control mode, press the one-key aerobatics button, the transmitter will beep several times. During the beeping, simply move the aileron stick to either direction for auto-roll. Or move the elevator stick to either direction for auto-flip.



One-key U-turn Instruction

The T-28 Trojan comes with one-key turnaround function, which enable the plane to turn into by the opposite direction of flight.

Follow below steps to activate the function.

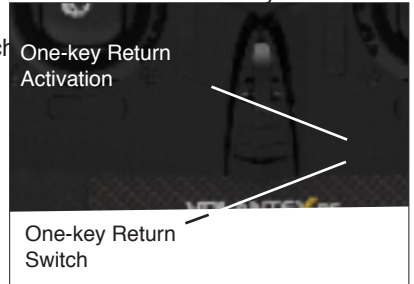
1. Place your plane heading to the take-off direction.
2. Do **NOT** unlock the throttle, press the activation button and hold for several seconds until you hear a "beep" sound, the rudder surface will respond, meaning the one-key return function is now activated.

NOTICE: Every time when you power on the plane, it requires to activate the one-key return function.

To use this function during flight, press the turnaround switch automatically.

To quit, just press again the switch button, or control any servo stick(rudder/elevator), the plane will back to your control immediately.No matter you flies the plane under manual control or gyro assist mode, when you turn on the one-key return function, the plane will enter gyro assist mode automatically to help stable flying back. When you quit this function, the plane will back to the what the control mode it was.

CAUTION: This is no coming home function, it will only let the plane make a u-turn.



Gyro System Calibration

1. Turn the throttle stick to min position.
2. Power on the transmitter and the receiver.
3. Do **NOT** unlock the throttle.
4. Keep the sticks as above picture for several seconds.
5. When you hear a "beep" sound, it means the gyro system is calibrated based on the horizontal level you are keeping it.

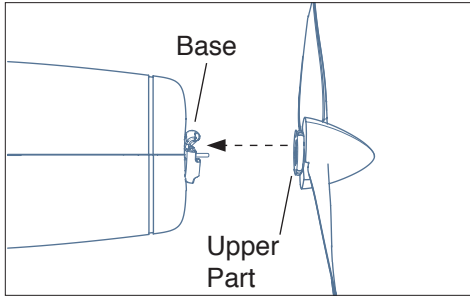


Setting the direction of action of the control sticks:

If the direction of the stick aggregate has been changed, proceed as follows:

1. Switch on the control - do not unlock the gas
2. Control stick to the stop until a tone is heard
- 3 The direction of action is now reversed

Propeller Saver Instruction

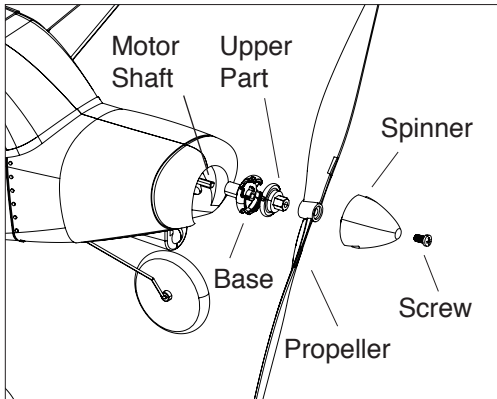


The propeller saver keeps the propeller from damage, and prevent the electronic components from over current.

When the airplane hits any obstacle, the propeller will loose from the base.

To install the propeller back to the base, insert the upper part centerly through the motor shaft, and hearing a "click" sound to ensure it is secured.

Propeller Replacement



Follow below steps to replace broken propeller and shaft adaptor. You will need help of a Philips screw driver and pliers(not included).

1. Take off the spinner and propeller by loosen the screw with a Philips screw driver.
2. Take off the shaft adaptor carefully. If it is too tight, use pliers to help.
3. Replace any part broken.
4. Install all parts back by inverted orders to finish the replacement.

Flight Checklist

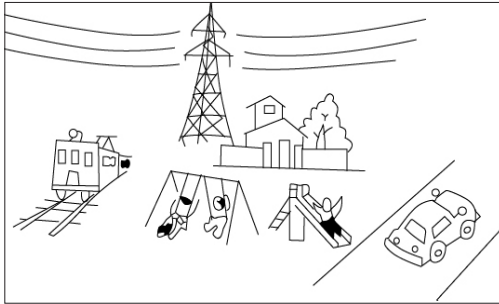
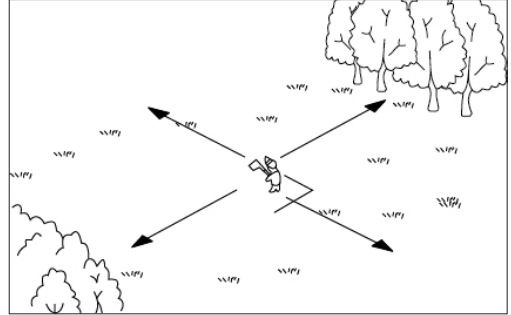
NOTE: This checklist is NOT intended to replace the content included in this instruction manual. Although it can be used as a quick start guide, we strongly suggest that read all though the manual completely before proceeding.

- Always turn the transmitter on first.
- Ensure the throttle control stick is at bottom position before connecting the battery.
- Check all control functions for correct functionality before the flight.
- Fly the model(hand-launch or take off from a flat/level surface).
- Land the model(on a flat/level surface).
- Unplug the battery from ESC.
- Always turn off the transmitter last.
- Remove the battery from the model.

Find a Flight Field

Based on the size and weight of the plane it is typically considered to be a "park flyer" class airplane. As a result it is best to fly the plane at a local park, schoolyard, flying field or other area that is large enough and free of people and obstructions. We recommend an area the size of at least one football/soccer field. However, even larger areas are better suited and preferred especially when learning how to fly. Do NOT fly in parking lots, crowded neighborhood areas or in areas that are not free of people or obstructions.

We also suggest flying over grass as it is a much more forgiving surface that causes less damage in the unfortunate event of a crash. Short grass is better for takeoffs and landings as grass that is too long can cause the airplane to nose-over/flip and be damaged. An ideal flying area allows for takeoffs and landings on a smoother surface (such as asphalt) and flying over grass.



Fly in spacious ground without obstacles and boskage.
 Never fly the plane near highway, railway, high tension line, crowded people, flying area and residential area.
 NOTE: The plane is designed to be flew outdoors only.

Flying Conditions

It is typically best to fly on days that are calm without wind, especially when learning how to fly. It is strongly suggested flying only in calm conditions until you are familiar with the controls and handling of the model. Even light winds can make it much more difficult to learn to fly, and in some cases can even carry the model beyond your line of sight.

Also, if you are a first-time or low-time pilot, we highly recommend that allow a more experienced pilot to test fly and properly trim the model before attempting your first flight. A proven flyable and properly trimmed model is significantly easier and more enjoyable to fly.

After you have properly trimmed the airplane in calm conditions and become familiar with its handling/capabilities you will be able to fly in light winds or depending on your experience and comfort level, in winds up to 5-7 mph.

Do NOT fly on days when significant moisture, such as rain or snow, is present.

MSG Online GmbH



Konformitätserklärung gemäß Richtlinie Radio Equipment Directive (RED) 2014/53/EU

Declaration of Conformity in accordance with the Radio Equipment Directive (RED) 2014/53/EU

Déclaration de conformité selon la directive Radio Equipment Directive (RED) 2014/53/UE

Hiermit wird erklärt, dass das Produkt:

I hereby declare that the product:

MODSTER T-28 Trojan

Il est déclaré que le produit:

Artikelnummer:

Product number:

283949 (EAN: 4260668081711)

Artikelnummer:

Bei bestimmungsgemäßer Verwendung den grundlegenden Anforderungen nach Artikel 3 und den übrigen einschlägigen Bestimmungen der Richtlinie (RED) 2014/53/EU entspricht.

Complies with the essential requirements and the other relevant provisions of the Directive (RED) 2014/53/EU, when used for its intended purpose.

Utilisé selon l'usage prévu est conforme aux exigences essentielles selon l'article 3 ainsi qu'aux autres dispositions pertinentes de la directive (RED) 2014/53/UE.

In Übereinstimmung mit den folgenden harmonisierten Normen gefertigt:

Manufactured in accordance with the following harmonised standards:

Fabriqué conformément aux normes harmonisées suivantes:

EN 62479:2010

EN 301 489-1 V2.1.1 (2017-02)

EN 301 489-3 V2.2.1 (2017-03)

EN 60950-1 / A11+A1+A12+A2 Version 2013

EN 62311 Version 2008

EN 300 440 V2.1.1 (2017-03)

Hersteller / verantwortliche Person:

MSG Online GmbH, Walter Bittdorfer

Manufacturer / responsible Person:

Wirtschaftspark 9

Fabricant / personne responsable:

8530 Deutschlandsberg, Austria

Walter Bittdorfer

Geschäftsführer / *managing director / directeur général*

place of issue/ date:

Deutschlandsberg (Austria), 23.06.2020

Fait à / le:

Frequency Range: 2420 MHz - 2460 MHz

Sending Level 0.57 dBm

The EIRP of the EUT is below the max. permitted sending level of 20 mW.

Therefore the EUT is not required to conduct SAR measurement.

WARNUNG

Die folgenden Begriffe werden in dieser Gebrauchsanleitung benutzt, um potenzielle Gefahren bei der Nutzung dieses Produkts zu verhindern:

ACHTUNG: Vorgehensweisen, bei denen die Anweisungen nicht genau befolgt werden, können physische Schäden an Körper und Besitz verursachen.



Lesen Sie DIE GANZE Gebrauchsanleitung, um sich mit den Funktionen des Produkts vertraut zu machen. Fehler bei der Nutzung können zu Schäden am Produkt, persönlichen Besitz und Körper des Nutzers führen.



Dies ist ein fortgeschrittenes Hobby-Produkt und KEIN SPIELZEUG. Es muss mit Vorsicht und im Sinne aller Beteiligten sowie mit einem grundsätzlichen mechanischen Geschick benutzt werden. Wenn Sie dieses Produkt nicht sicher und verantwortungsvoll nutzen, können daraus ernsthafte Verletzungen, Schäden am Produkt oder persönlichen Besitz resultieren. Dieses Produkt ist nicht für den Gebrauch durch Kinder ohne elterliche Aufsicht geeignet. Versuchen Sie nicht, das Produkt auseinanderzubauen, mit ungeeignetem Zubehör zu benutzen oder ohne Erlaubnis der MSG Online GmbH aufzurüsten. Diese Gebrauchsanleitung enthält Anweisungen zur Sicherheit, Benutzung und Wartung. Es ist essentiell, die Anweisungen und Warnungen zu lesen und zu befolgen, bevor Sie das Produkt zusammenbauen, einstellen oder nutzen. Andernfalls können Schäden oder Verletzungen entstehen. Altersempfehlung: Nicht für Kinder unter 14 Jahren. Dies ist kein Spielzeug.

Sicherheitsvorkehrungen

Als Nutzer dieses Produkts sind Sie allein verantwortlich für den Gebrauch in einer Weise, die Sie und andere nicht in Gefahr bringt oder in Schäden am Produkt oder persönlichem Eigentum resultiert.

- Stellen Sie stets sicher, dass alle Batterien korrekt aufgeladen sind, bevor Sie das Gerät benutzen
- Checken Sie vor jeder Nutzung alle Servos, alle Verbindungen und die korrekten Übernahme und Übermittlung aller Steuerfunktionen.
- Nutzen Sie Ihr Gerät nie in der Nähe von Zuschauern, Parkplätzen oder anderen Umgebungen, an denen Verletzungen oder Schäden entstehen könnten
- Nutzen Sie das Gerät nie während ungünstiger Wetterverhältnisse. Schlechte Sicht kann zu Orientierungsproblemen oder Kontrollverlust führen
- Die Antenne der Fernsteuerung sollte nie direkt auf das Gerät zeigen. Das Signal ist an der Spitze der Antenne anlagebedingt schwach
- Wenn Sie irgendwann im Verlaufe des Betriebes ihres Gerätes ungewöhnliche Geräusche wahrnehmen, sollten Sie den Betrieb sofort einstellen. Starten Sie erst wieder, wenn das Problem identifiziert und behoben ist.
- Fliegen Sie niemals, wenn eine Steuerfunktion nicht einwandfrei funktioniert.

Akku-Nutzung und Auflade-Hinweise

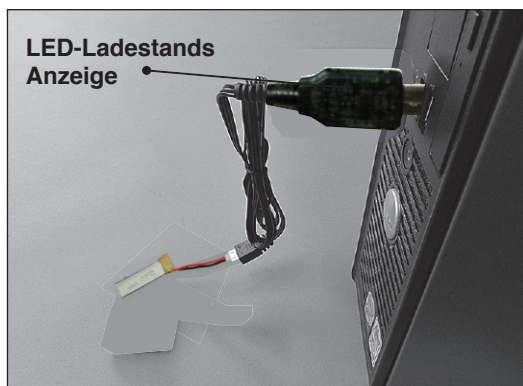
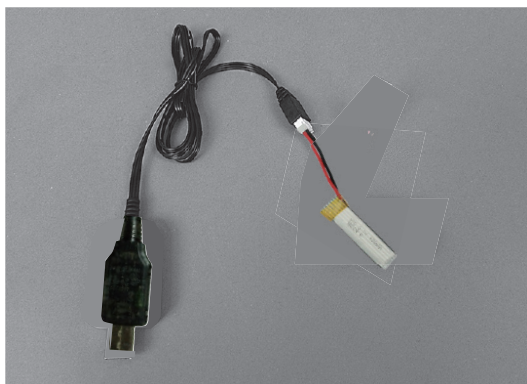
ACHTUNG: Alle Instruktionen und Warnungen müssen genau befolgt werden. Ein falscher Gebrauch von Li-Po/Li-Ion/Ni-Mh-Akkus kann zu Bränden, Verletzungen und Schäden führen.

- Das ggfs. mitgelieferte Akku-Ladegerät ist so konstruiert, dass es speziell Li-Po/Li-Ion/Ni-Mh-Akkus sicher und ausgewogen auflädt
- Bitte beachten Sie bei der Nutzung des mitgelieferten Akkus alle Risiken, die mit Li-Po Li-Ion/Ni-Mh-Akkus verbunden sind
- Wenn der Akku jemals anschwilt oder sich aufbläht, stellen Sie den Betrieb bzw. das Laden sofort ein. Sollte dies beim Aufladen geschehen, empfiehlt es sich, auch das USB-Ladekabel vom Strom zu trennen. Eine Fortsetzung des Betriebs oder des Aufladens kann in diesem Fall zu Feuer führen
- Bewahren Sie den Akku stets bei Zimmertemperatur an einem trockenen Ort auf
- Transportieren oder lagern Sie den Akku auch kurzfristig stets bei einer Temperatur zwischen 5 und 49 Grad Celsius. Bewahren Sie ihn nie in einem Auto oder direktem Sonnenlicht auf. Bei der Lagerung in einem heißen Auto kann der Akku beschädigt werden oder Feuer fangen
- Bewahren Sie den Akku nie in der Nähe von brennbarem Material auf
- Checken Sie den Akku stets, bevor Sie ihn aufladen und laden Sie niemals beschädigte Akkus auf
- Nehmen Sie den Akku nach dem Aufladen stets aus dem Modell und lassen Sie das Ladegerät vor dem nächsten Gebrauch abkühlen
- Checken Sie während des gesamten Ladevorgangs stets die Temperatur des Akkus
- **NUTZEN SIE AUSSCHLIESSLICH LADEGERÄTE, DIE SPEZIELL FÜR DIESE AKKUS GEEIGNET SIND**
- Li-Pos sollten nie unterhalb eines Ladestands von 3V genutzt werden
- Verdecken Sie nie Warnschilder am Gerät mit Klebestreifen oder Ähnlichem
- Lassen Sie den Akku während des Aufladens nie unbeaufsichtigt
- Laden Sie Akkus nur innerhalb der empfohlenen Bandbreite auf
- Bauen Sie das Ladegerät nie auseinander und nehmen Sie keine Änderungen daran vor
- Lassen Sie niemals Minderjährige Ihren Akku aufladen
- Laden Sie Ihren Akku nie an besonders heißen (z.B. direktes Sonnenlicht) oder kalten Orten auf (ausschließlich zwischen 5-49 Grad Celsius)
- Laden Sie den Akku nie im Modell
- Lagern Sie den Akku nie im Modell
- Entnehmen Sie den Akku stets nach dem Fliegen
- Nie unbeaufsichtigt Laden

Boxinhalt

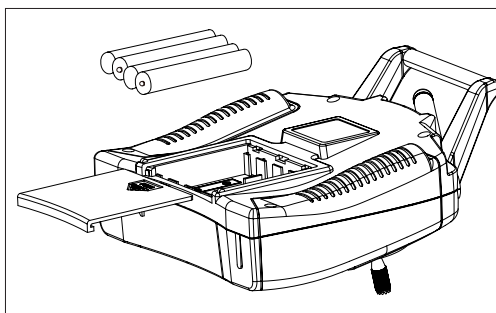


Auflade-Anleitung

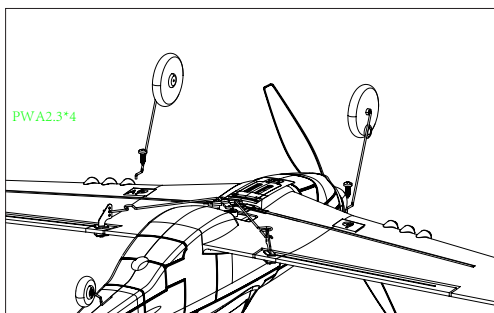


1. Nehmen Sie den Akku aus dem Flugzeug
2. Stecken Sie das Ladegerät vorsichtig in den USB-Anschluss Ihres Computers oder USB-Adapters
3. Verbinden Sie den Akku mit dem Ladegerät
4. Der Aufladeprozess dauert ca. 3,5 Stunden. Laden Sie Ihren Akku aus Sicherheitsgründen niemals länger als vier Stunden auf
5. Während des Ladevorgangs wird die LED am Ladekabel blinken, sobald der Akku voll geladen ist, erlischt die LED.
6. Entfernen Sie den Akku vom Ladekabel und das Ladekabel von der USB-Schnittstelle.

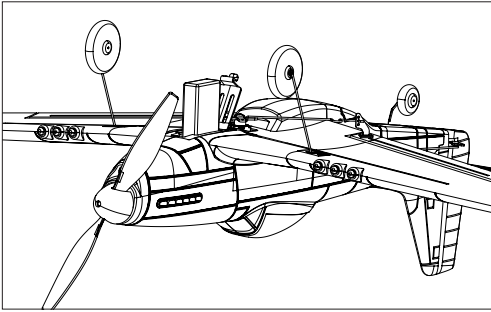
Setup-Anleitung



1. Legen Sie 4 AA Batterien (nicht Teil der Lieferung) in den Transmitter



2. Stecken Sie die Landevorrichtung in den Rumpf wie im Bild gezeigt und ziehen Sie sie mit zwei Schrauben fest.



3. Verbinden Sie den Akku mit dem Empfänger, stecken Sie ihn dann in die dafür vorgesehene Öffnung und stellen Sie sicher, dass er sicher sitzt.

4. Das Setup ist jetzt fertig. Stellen Sie sicher, dass Sie diese Gebrauchsanleitung vollständig lesen und den Anweisungen Folge

Zentrieren der Ruder

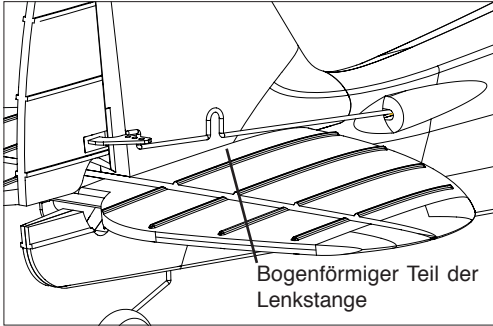
Mit eingeschalteter Fernbedienung und an den Regler angeschlossenen (und installiertem) Akku ist es nun möglich, alle Ruder zu zentrieren. Beachten Sie: Stellen Sie den Gyro (Kreisel) auf Experten-Level, wenn Sie die unten beschriebenen Schritte ausführen.



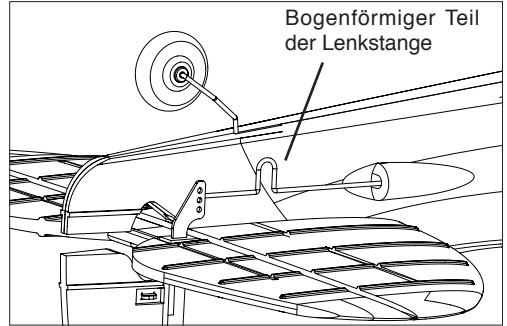
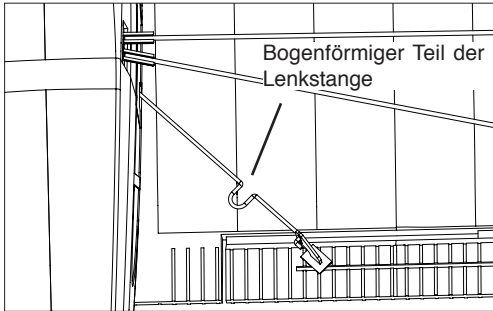
Checken Sie das Ruder, um sicherzustellen, dass es wie angezeigt zentriert ist.



Checken Sie dann das Höhenruder, um sicherzustellen, dass es wie angezeigt zentriert ist.



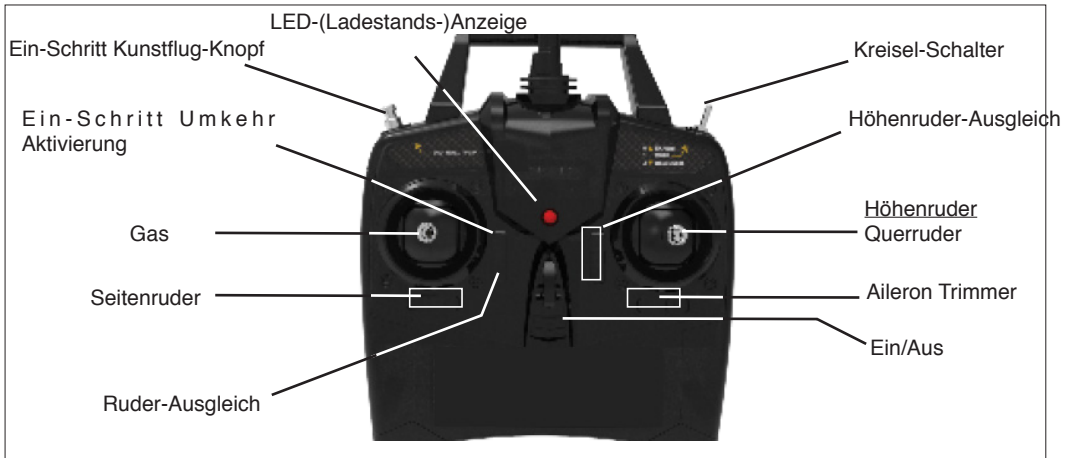
Wenn das Ruder nach links oder rechts abgewinkelt ist, justieren Sie die Lenkstange vorsichtig an ihrem bogenförmigen Teil, um sicherzustellen, dass das Ruder genau zentriert ist.



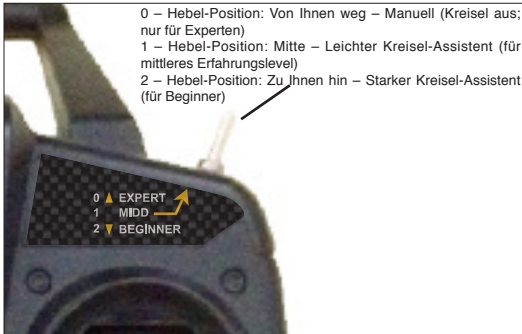
Wenn das Höhenruder nach oben oder unten abgewinkelt ist, justieren Sie die Lenkstange vorsichtig an ihrem bogenförmigen Teil, um sicherzustellen, dass das Höhenruder genau zentriert ist.

Wenn das Querruder nach oben oder unten abgewinkelt ist, justieren Sie die Lenkstange vorsichtig an ihrem bogenförmigen Teil, um sicherzustellen, dass das Querruder genau zentriert ist.

Fernbedienungs-Anleitung



Kreisel-Schalter



Der T-28 Trojan ist mit Kreisel ausgestattet, um ein einfaches Fliegen zu ermöglichen. Der Hebel hat drei Positionen, um den Kreisel zu kontrollieren. Um den Kreisel voll zu aktivieren, muss der Hebel nach oben (zu Ihnen hin) gestellt werden. Um den Kreisel auszuschalten, muss der Hebel nach unten (von Ihnen weg) gestellt werden.

ACHTUNG: Es wird eindeutig empfohlen, den Kreisel während des Fluges einzuschalten.

Verbindungs-Anweisungen

Das Verbinden erfüllt den Zweck, den Empfänger auf den GUID (Globally Unique Identifier)-Code Deiner individuellen Fernbedienung einzustellen. Er wird dann ausschließlich auf deren spezifische Signale reagieren.

Wenn Sie aus irgendeinem Grund neu verbinden müssen, folgen Sie bitte diesen Schritten:

1. Schalten Sie die Fernbedienung aus und stellen Sie den Gashebel auf die niedrigste Position. Bitte beachten: Stellen Sie den Kreisel auf die mittlere oder die Beginner-Position. Bitte beachten: Das Flugzeug muss stillstehen und sich in einer ruhigen Umgebung befinden, um den Kreisel einzustellen.
2. Verbinden Sie den Akku mit dem Flugzeug und schalten Sie dann innerhalb von fünf Sekunden die Fernbedienung an.
3. Das LED-Licht am Empfänger blinkt für eine automatische Verbindung drei bis acht Sekunden lang.
4. Wenn das LED-Licht am Empfänger nicht mehr blinkt, ist der Verbindungsprozess abgeschlossen. Setzen Sie die nun folgenden Schritte um, wenn Sie ein bereits verbundenes Flugzeug fliegen:

1. Schalten Sie zuerst die Fernbedienung ein.
2. Verbinden Sie den Akku mit dem Flugzeug innerhalb von drei Sekunden.
3. Das LED-Licht des Empfängers im Flugzeug wird blinken und dann innerhalb von einigen Sekunden dauerhaft leuchten.
4. Schalten Sie den Kreisel-Hebel auf ein Assist-Level (Mittel oder Beginner).

Bitte beachten: Lassen Sie das Flugzeug für 3-5 Sekunden in einer ruhigen Umgebung stehen, wenn Sie den Kreisel das erste Mal einschalten, um den Kreisel zu kalibrieren und zu aktivieren. Sobald der Kreisel reagiert, ist er aktiviert.

5. Schieben Sie den Gashebel auf die maximale Position und anschließend auf die minimale, um den Motor bereitzumachen.

ACHTUNG: Fliegen Sie NICHT um Menschen oder Eigentum herum, sonst können ernsthafte Verletzungen oder Schäden entstehen!

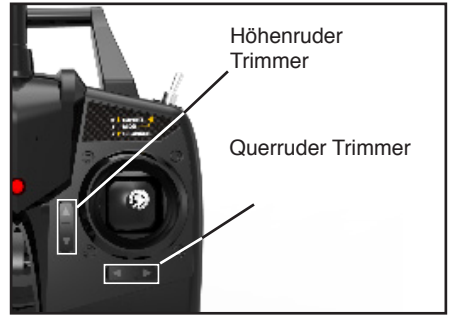
Gas-Freischaltung

Um Schäden vorzubeugen, ist der Gas-Kanal zunächst stets blockiert, wenn Sie Ihre Fernsteuerung einschalten. Befolgen Sie die untenstehenden Schritte, um ihn freizuschalten.

ACHTUNG: Halten Sie sich vom Propeller fern! Schieben Sie den Gashebel auf die maximale Position, bis Sie einen Piepton hören. Schieben Sie ihn dann auf die minimale Position, bis Sie einen Piepton hören. Das Gas ist nun freigeschaltet.

Digitale Trimmung

Die digitale Trimmung erlaubt es, Querruder und Höhenruder zu justieren. Jedes Mal, wenn ein Regler zur Einstellung der Ruder bewegt wird, ändert sich das Lenkverhalten um einen Schritt. Wenn der Regler gedrückt bleibt, bewegt sich das Lenkverhalten immer weiter in diese Richtung, bis der Regler losgelassen wird oder die maximale Ausrichtung erreicht ist. Wenn Sie einen Piepton hören, bedeutet dies, dass der Regler zentriert ist.



Check der Kanal-Reaktion

Fernsteuerungs-Bewegung	Reaktion

Drehung/ Bewegung des	Kreisel-Reaktion

Platzieren Sie Ihr Flugzeug in eine neutrale Position. Folgen Sie den unten beschriebenen Schritten, um die Reaktion der einzelnen Kanäle zu überprüfen. Bewegen Sie die Hebel (mit Ausnahme des Gas-Hebels), um zu sehen, ob alle lenkbaren Teile korrekt reagieren, wie es im linken Diagramm dargestellt wird. Drehen Sie das Flugzeug, um zu sehen, ob alle lenkbaren Teile reagieren, wie es im rechten Diagramm dargestellt wird.

Ein-Schritt Kunstflug-Anleitung

Die Ein-Schritt-Funktion für Kunstflüge erlaubt es Anfänger-Piloten, Kunstflug-Elemente auszuführen, indem Sie einfach nur den entsprechenden Knopf auf der Fernbedienung drücken. Drücken Sie ihn während des Fluges mit dem starken Kreisel-Assistenten (s.o.) und die Fernbedienung wird mehrmals piepen. Während des Piepens müssen Sie einfach nur das Querruder in die gewünschte Richtung bewegen und fliegen so automatisch eine Rolle (Schraube). Oder Sie bewegen das Höhenruder in die gewünschte Richtung und fliegen einen Flip (Salto).



Ein-Schritt Umkehr-Anleitung

Der T-28 Trojan Warbird verfügt über eine Ein-Schritt Umkehr-Funktion, die es dem Flugzeug ermöglicht, auf Knopfdruck die Richtung um 180 Grad zu ändern.

Folgen Sie den untenstehenden Schritten, um diese Funktion zu aktivieren:

1. Platzieren Sie Ihr Flugzeug in Startrichtung
2. Schalten Sie das Gas NICHT frei, drücken Sie den Aktivierungs-Knopf und halten Sie ihn für einige Sekunden, bis Sie einen Piepton hören. Das Ruder wird reagieren, was bedeutet, dass die Rückkehr-Funktion nun aktiviert ist.
Beachten Sie: Jedes Mal, wenn Sie das Flugzeug nutzen, muss diese Funktion erneut – wie oben beschrieben – freigeschaltet werden.

Um diese Funktion während des Fluges zu nutzen, drücken Sie die den Ein-Schritt Umkehr-Knopf und das Flugzeug wird automatisch in die Gegenrichtung wenden. Um diesen Vorgang abubrechen drücken Sie den Knopf einfach nochmals oder betätigen Sie das Ruder oder Höhenruder und das Flugzeug ist sofort wieder unter ihrer Kontrolle. Egal, ob Sie manuell oder mit Kreisel-Assistent fliegen: Wenn Sie die Rückkehr-Funktion betätigen, schaltet das Flugzeug automatisch in den Kreisel-Assistent, um sich zu stabilisieren. Wenn Sie diese Funktion verlassen, kehrt das Flugzeug zum vorher eingestellten Modus zurück.

ACHTUNG: Diese Funktion ist keine Coming-Home-Funktion. Das bedeutet, dass das Flugzeug NUR in die Gegenrichtung fliegen wird, also um 180 Grad wendet.

Kalibrierung des Kreisel-Systems

1. Schieben Sie den Gas-Hebel auf die Minimal-Position
2. Schalten Sie die Fernbedienung und den Empfänger an
3. Lösen Sie NICHT das Gas
4. Halten Sie die Hebel für einige Sekunden wie in diesem Foto zu sehen
5. Wenn Sie einen Piepton hören, bedeutet dies, dass das Kreisel-System kalibriert ist. Es orientiert sich dabei an dem horizontalen Level, auf dem Sie es halten.

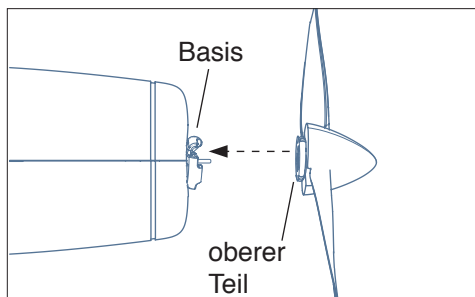


Einstellung der Wirkrichtung der Steuerknüppel:

Sollte einmal die Steurrichtung der Knüppelaggrate verstellt worden sein, gehen Sie wie folgt vor:

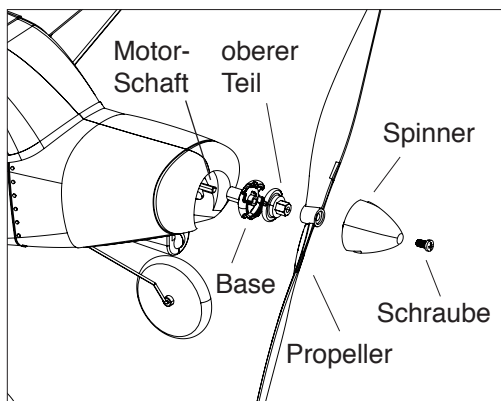
1. Steuerung einschalten - Gas nicht freischalten
2. Steuerknüppel auf Anschlag bis ein Ton erfolgt
- 3 Nun ist die Wirkrichtung umgekehrt

Instruktionen zum Propeller-Schutz



Der Propeller-Schutz bewahrt den Propeller vor Schäden und die elektrischen Komponenten vor Überspannung. Wenn das Flugzeug ein Hindernis trifft, wird sich der Propeller von seiner Basis lösen. Um ihn wieder anzubringen, stecken Sie den oberen Teil zentriert durch den Motor-Schaft. Wenn Sie ein Klicken hören, ist er wieder sicher befestigt.

Propeller-Austausch



Folgen Sie den unten beschriebenen Schritten, um einen gebrochenen Propeller und Schaft-Adapter zu ersetzen. Sie werden dafür einen Philips-Schraubenzieher und eine Zange benötigen, die nicht Teil des Lieferumfangs dieses Produkts sind.

1. Nehmen Sie den Spinner und den Propeller ab, indem Sie die Schraube mit dem Schraubenzieher lösen
2. Nehmen Sie den Schaft-Adapter vorsichtig ab. Wenn dies nur schwer möglich ist, nehmen Sie eine Zange zur Hilfe
3. Ersetzen Sie die beschädigten Teile
4. Installieren Sie alle Teile wieder in umgekehrter Reihenfolge, um den Vorgang abzuschließen

Checkliste für Flüge

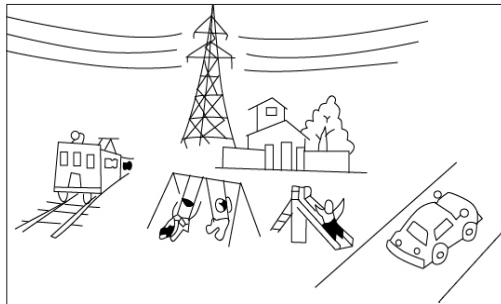
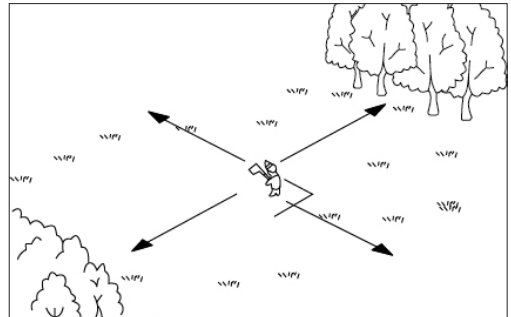
Beachten Sie: Diese Checkliste ersetzt nicht die anderen Anweisungen in dieser Gebrauchsanleitung. Auch wenn sie als Guide für Starts genutzt werden kann, empfehlen wir eindeutig, dass Sie das gesamte Dokument lesen, bevor Sie fortfliegen.

- Schalten Sie stets zuerst die Fernbedienung ein
- Stellen Sie sicher, dass der Gas-Hebel in der minimalen Position ist, bevor Sie den Akku anschließen
- Prüfen Sie vor dem Flug alle Steuerfunktionen auf richtige Übernahme und Funktion
- Fliegen Sie das Modell (Start aus der Hand oder von flachem Untergrund)
- Landen Sie das Modell (auf flachem Untergrund)
- Lösen Sie den Akku vom ESC
- Schalten Sie die Fernbedienung immer zuletzt aus
- Entnehmen Sie den Akku aus dem Modell

Finden Sie ein Flugfeld

Aufgrund von Größe und Gewicht kann man dieses Flugzeug als „Park-Flieger“ bezeichnen. Ein Park in Ihrer Nähe ist der ideale Ort, um es zu fliegen. Gleiches gilt für einen Schulhof, Flugfeld oder andere Umgebungen, die groß genug sowie frei von Personen und Hindernissen sind. Wir empfehlen eine Fläche, die mindestens die Größe eines Fußballfeldes (ab 5.000 Quadratmeter) hat. Noch größere Flächen sind vor allem dann sinnvoll, wenn Sie das Fliegen erst erlernen. Fliegen Sie NICHT auf Parkplätzen, belebten Nachbarschaften oder sonstigen Umgebungen mit Menschen und/oder Hindernissen.

Außerdem empfehlen wir, über Gras zu fliegen, da es eine dankbare Oberfläche ist, auf der bei Unfällen geringere Schäden entstehen. Kurzes Gras ist besser für Starts und Landungen, zu langes kann Schäden durch Überschläge am Boden verursachen. Die ideale Flug-Umgebung bietet neben viel Platz auch eine Asphalt-Fläche zum Starten und Landen sowie viel Gras, um darüber alle weiteren Flugbewegungen auszuführen.



Fliegen Sie auf weitläufigen Flächen ohne Hindernisse und größere Pflanzen. Fliegen Sie nie neben einer Straße, Bahnlinie, Hochspannungsleitung, belebten Orten und Wohngebieten.

Beachten Sie: Das Flugzeug ist ausschließlich für den Outdoor-Betrieb geeignet.

Flugbedingungen

Es ist am besten, tagsüber und ohne Wind zu fliegen, speziell, wenn Sie das Fliegen erst erlernen. Wir empfehlen dringend, bei ruhigen Bedingungen zu fliegen, so lange Sie mit der Kontrolle und Handhabung des Modells nicht vertraut sind. Sogar leichter Wind kann es sehr viel schwieriger machen, das Fliegen zu lernen. In manchen Fällen kann er sogar dafür sorgen, dass das Flugzeug außerhalb Ihres Blickfelds gerät. Wenn Sie ein Anfänger sind oder selten fliegen, empfehlen wir zudem dringend, dass ein/e erfahrene/r Pilot einen Testflug durchführt und das Modell korrekt einstellt, bevor Sie das erste Mal selbst fliegen. Ein geprüftes Flugzeug mit den richtigen Einstellungen fliegt sich leichter und macht mehr Spaß.

Nachdem Ihr Flugzeug in ruhiger Umgebung korrekt eingestellt wurde und Sie mit seiner Handhabung und seinen Eigenschaften vertraut sind, können Sie es auch bei leichtem Wind oder – abhängig von Ihrer Erfahrung – sogar bei Windgeschwindigkeiten von acht bis elf Kilometern pro Stunde fliegen. Fliegen Sie NICHT an Tagen, an denen es durch Schnee oder Regen wahrnehmbar feucht ist.

Konformitätserklärung gemäß Richtlinie Radio Equipment Directive (RED) 2014/53/EU

Declaration of Conformity in accordance with the Radio Equipment Directive (RED) 2014/53/EU

Déclaration de conformité selon la directive Radio Equipment Directive (RED) 2014/53/UE

Hiermit wird erklärt, dass das Produkt:

I hereby declare that the product:

MODSTER T-28 Trojan

Il est déclaré que le produit:

Artikelnummer:

Product number:

283949(EAN: 4260668081711)

Artikelnummer:

Bei bestimmungsgemäßer Verwendung den grundlegenden Anforderungen nach Artikel 3 und den übrigen einschlägigen Bestimmungen der Richtlinie (RED) 2014/53/EU entspricht.

Complies with the essential requirements and the other relevant provisions of the Directive (RED) 2014/53/EU, when used for its intended purpose.

Utilisé selon l'usage prévu est conforme aux exigences essentielles selon l'article 3 ainsi qu'aux autres dispositions pertinentes de la directive (RED) 2014/53/UE.

In Übereinstimmung mit den folgenden harmonisierten Normen gefertigt:

Manufactured in accordance with the following harmonised standards:

Fabriqué conformément aux normes harmonisées suivantes:

EN 62479:2010

EN 301 489-1 V2.1.1 (2017-02)

EN 301 489-3 V2.2.1 (2017-03)

EN 60950-1 / A11+A1+A12+A2 Version 2013

EN 62311 Version 2008

EN 300 440 V2.1.1 (2017-03)

Hersteller / verantwortliche Person:


MSG Online GmbH, Walter Bittdorfer

Manufacturer / responsible Person:

Wirtschaftspark 9

Fabricant / personne responsable:

8530 Deutschlandsberg, Austria



Walter Bittdorfer

Geschäftsführer / *managing director / directeur général*

place of issue/ date:

Deutschlandsberg (Austria), 23.06.2020

Fait à / le:

Frequency Range: 2420 MHz - 2460 MHz

Sending Level 0.57 dBm

The EIRP of the EUT is below the max. permitted sending level of 20 mW.
Therefore the EUT is not required to conduct SAR measurement.



MSG ONLINE GMBH
WIRTSCHAFTSPARK 9
A-8530 DEUTSCHLANDSBERG

FIRMENBUCH GRAZ FN315230Z • UID-NR. ATU 64361513
EVA-PARTNERNUMMER: 152216
ARA LIZENZNUMMER: 17749 • GRS NUMMER: 110072576
INTERSEROH HERSTELLER ID (EAR): 152204
WEE REG.-NR. DE 44576630