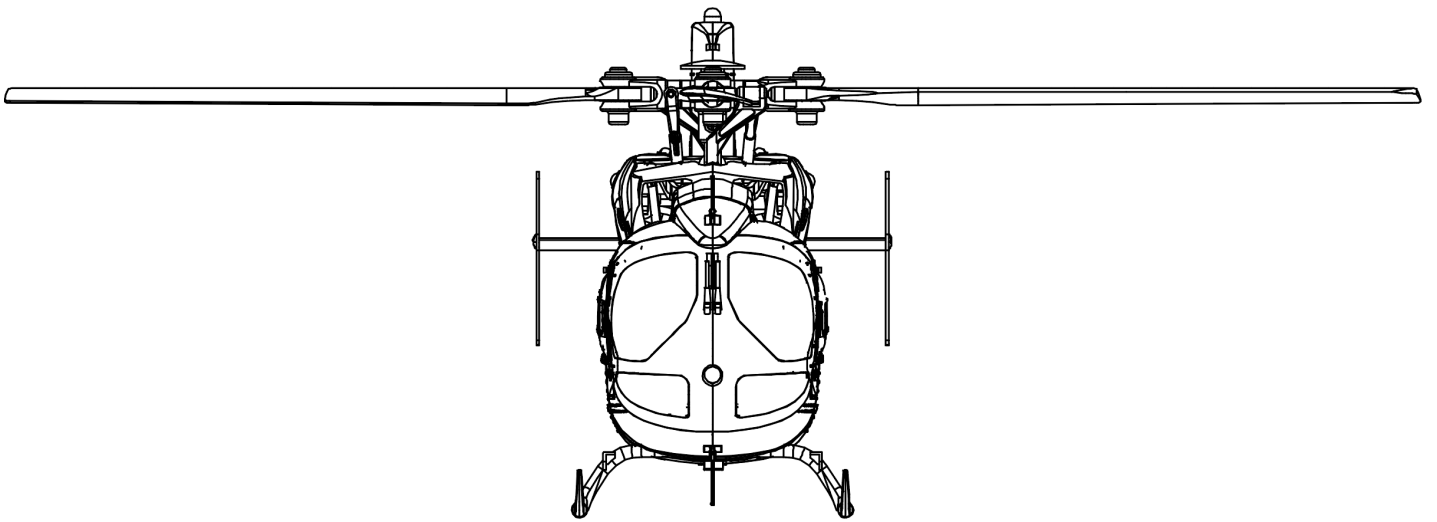


# EC-135



BETRIEBSANLEITUNG/  
USER MANUAL

**MODSTER**

## Table of contents

|   |       |
|---|-------|
| Introduction, Safety Instructions, Disclaimer of warranty.....  | 3-5   |
| Important Note.....   | 6     |
| Additional Safety Precautions and Warnings.....                 | 6     |
| Warning and the Guide of using Battery.....                     | 7     |
| Helicopter Parameters Packaging List.....                       | 8     |
| Introduction of transmitter function Parts.....                 | 9     |
| Batteries Charging Method first flight Preparation caution..... | 10    |
| Installation method of remote controller battery.....           | 11    |
| Direction of operation.....                                     | 11    |
| Flight Operation Steps.....                                     | 12    |
| Flight Yaw correction method.....                               | 13-14 |
| Parts replacement instructions.....                             | 15    |
| Abnormal Problem Solving Method.....                            | 16    |

## 1. introduction

Thank you very much for choosing this product. It has been produced, tested and packaged with care in accordance with the applicable European regulations. Please unpack the contents carefully. Please check immediately upon receipt whether all parts included in the scope of delivery are present and whether there is any transport damage. If there is cause for complaint, please contact us immediately.

## 2. safety instructions

Please read all enclosed instructions carefully before assembly and first use!

You will receive important instructions for the use of the product. Keep these instructions for information or for ordering spare parts. If you are operating remote-controlled model airplanes, helicopters, cars or ships for the first time, we recommend that you ask an experienced model pilot for help.

1. recommended age of users: Not suitable for children under 14 years old.
2. make sure you have enough space to operate the product.
3. follow the instructions and warnings to avoid any damage.
4. it must be kept away from chemicals. Small parts and electrical equipment must be out of the reach of children.
5. keep it away from water as this product has no waterproof function.
6. do not put any parts into the mouth as it may cause injury or death.
7. do not operate the model when the battery of the transmitter has low voltage.
8. do not look into the beam of the light emitting diodes, as this will impair your eyesight.
9. the motor and electrical equipment become hot after flight. Please do not touch them to avoid burns.
10. do not reach into the rotor blades during operation to avoid injury.
11. do not fly in wet weather or rain
12. observe the necessary safety distance to buildings and people
13. perform a functional check before each flight, failure to do so will void the warranty/guarantee.
14. pay attention to the special instructions for charging the batteries, there is a risk of fire.

## 3. spare parts

If you need spare parts for your helicopter, please use our spare part numbers when ordering. You can find them in the following list:

| Item Number: | Spare Part:  |
|--------------|--|
| 291332       | MODSTER BO 105/EC-135: spindle screw               |
| 291333       | MODSTER BO 105/EC-135: swashplate and control rods |
| 291336       | MODSTER BO 105/EC-135: motor                       |
| 291339       | MODSTER BO 105/EC-135: main gear                   |
| 295338       | MODSTER BO 105/EC-135: Remote control version 2022 |
| 295772       | HB MODSTER EC-135 ÖAMTC Flybarless Elektro RTF     |
| 295773       | HB MODSTER EC-135 Police Flybarless Elektro RTF    |
| 295819       | MODSTER EC-135: rotor head                         |
| 295821       | MODSTER EC-135: sheet holder                       |
| 295822       | MODSTER EC-135: battery pack                       |
| 295823       | MODSTER EC-135: landing gear                       |
| 295824       | MODSTER EC-135: tail rotor blades                  |
| 295825       | MODSTER EC-135: rear engine                        |
| 295826       | MODSTER EC-135: LED tail                           |
| 295827       | MODSTER EC-135: rotor blades                       |
| 295828       | MODSTER EC-135: flight controller                  |
| 295829       | MODSTER EC-135: fuselage cell police               |
| 295830       | MODSTER EC-135: ÖAMTC                              |
| 295831       | MODSTER EC-135: screw set                          |
| 295832       | MODSTER EC-135: main frame                         |

## 4. package contents

Before you start building, please check the parts for quality and completeness. If any part is missing or damaged, or if you have any questions, please contact us:

MSG Online Ltd.  
 E-mail: [info@modster.at](mailto:info@modster.at)  
 Web: [www.modster.at](http://www.modster.at)  
 Business Park 9  
 A-8530 Deutschlandsberg  
 Phone: +43 (0) 3462 2541 -100  
 Fax: +43 (0) 3462 2541 310

## 5. Battery

- Keep the battery pack away from children.
- Be careful when handling battery packs with high cell counts. It is essential to ensure good insulation, there is a risk of electric shock.
- Do not allow leaking electrolyte to come into contact with fire, it is highly flammable and can ignite. In the event of an explosion or fire, never extinguish the batteries with water. Only extinguish with dry extinguishing agent (sand, etc.) or smother the flames by covering.
- The electrolyte liquid should not get into the eyes, if it does, wash it out immediately with plenty of clean water and then consult a doctor.
- The electrolyte fluid can also be washed off clothing and other objects with plenty of water.
- Do not expose lithium batteries to excessive cold or heat and direct sunlight. Do not heat the battery, throw it into a fire or place it in the microwave. Charge and store batteries in a fireproof container or lithium safe (e.g. AN-262582).
- Do not subject battery to pressure or impact, deform or throw. Protect from accident or fall. Never use damaged batteries and dispose of them properly.
- Never place the charger or connected batteries on flammable or conductive surfaces. Never operate in the vicinity of flammable materials or gases. Charging the battery in the model can cause the model to burn down in case of a defect! Do not leave the battery unattended during the charging-discharging process or during operation. Read the charger instructions carefully before charging.
- Do not charge batteries which are strongly heated or undercooled. Allow batteries to cool down to approx. 20-30°C or warm them up before charging.
- Only cells of the same capacity and make may be charged together.
- Make absolutely sure that the polarity of the batteries is correct and prevent short-circuits, especially through non-insulated connector systems.
- In case of contact with water or penetration of moisture into the battery, there is a risk of explosion due to short-circuiting.
- Do not charge with reverse polarity.
- Do not solder directly to the battery.
- Do not modify or open battery.
- Do not charge batteries above 4.2 volts (+/-0.05V) per cell and do not discharge below 3 volts per cell.
- Charge batteries only with suitable lithium battery chargers with connected or built-in equalizer/balancer, never connect directly to a power supply.
- Do not use the battery in locations subject to high static discharge.
- All this can cause the battery to be damaged, explode or catch fire.
- Never charge batteries unattended!
- Never charge, store or keep the battery in the model or inside a car.

### Charging procedure

Only use chargers that have been expressly approved by the manufacturer for use with lithium batteries. Lithium batteries can only be charged using the CC-CV charging procedure. Make sure that the charger is correctly selected. In the first charging phase, the charger keeps the charging current constant. With a charging current of 1C and a discharged battery, this first phase takes approx. 50- 60 minutes. A battery capacity of approx. 80-90% is charged. When the end-of-charge voltage of 4.2 volts/cell is reached, only the voltage is kept constant and the charge current drops. A further 35-40 minutes are required to charge the remaining capacity. If the value reaches the lower current limit of approx. 5-10% of the specified charging current, the charging process is switched off by the charging device. At a charge rate of 1C, this means that the entire charging process takes approx. 90 minutes when the battery is discharged. A lower charging current of 0.3-0.5 C is recommended for the first charging process. This measure facilitates balancing and increases the service life of the battery.

### Voltage sensor cable

Due to different cell temperatures during the discharge process, the individual cells gradually acquire different charge states and voltage levels. The total charge voltage applied is then not distributed evenly across the individual cells, which means that cells with a higher voltage level can be overcharged. To measure the individual cell voltage, the lithium batteries have a separate plug connection (voltage sensor cable), from which a cable leads to each individual cell. The black cable (Pin1) is the negative terminal of the first cell, Pin2 the positive terminal. The next contact in each case is the respective positive pole of the subsequent cell.

Connect the voltage sensor cable to the Equalizer/Balancer connector on the charger for charging, which conveniently and automatically brings all cells to the same voltage value at the same time.

In addition, the voltage of each individual cell is monitored.



**Technical data:**

Rated voltage: 3.7 volts/cell

Low charge rates protect the battery,

high charge rates reduce the number of cycles by approx. 10%.

End-of-charge voltage: 4.2 volts/cell (to be maintained to within 0.05 volts)

**Discharge rate / discharge current:**

Depending on battery type, e.g. a 25C battery can be discharged at a constant rate of 25C (25 times the rated capacity in Ah), and for a short time (for 3 seconds) up to 50C (twice the constant discharge rate). Examples:

25C (discharge rate), means capacity value x C rate = discharge current.

25C-battery with 1000mAh (1Ah) x 25C = 25A discharge current continuous/50A short time

30C battery with 1000mAh (1Ah) x 30C = 30A discharge current duration/60A short-term

45C battery with 1000mAh (1Ah) x 45C = 45A discharge current duration/90A short-term

**End of discharge voltage:**

Lithium cells should be disconnected under load, at the latest at about 3 volts /cell. If the voltage falls below the limit, the cell may be destroyed, explode and start to burn.

**Maximum temperatures**

Charging: +45°C, discharging +60°C

**Temperature behavior**

Lithium cells have a distinct temperature curve.

At temperatures below 10...15°C the removable capacity is significantly lower than at 20...35°C. Even at higher temperatures (above 35...40°C) the removable capacity is noticeably lower.

The maximum external cell temperature should not be exceeded during both charging and discharging, otherwise the cell will suffer permanent damage in the form of capacity loss. If exceeded for a longer period of time, it will be destroyed and may explode and start to burn.

**Self-discharge:**

Lithium cells have an extremely low self-discharge rate (about 0.2% per day) and therefore can be stored for long periods without problems. If the voltage drops below 3 volts/cell, it is essential to recharge.

Deep discharge must be avoided, otherwise the cell will suffer permanent damage in the form of capacity loss and render the battery pack unusable.

**Storage:**

Before longer storage, the batteries should be charged to the storage voltage of approx. 3.8...3.9 volts/cell. After approx. 3-5 months they should be recharged. Never store or keep fully charged but only fully charge immediately before use. Store batteries in a fireproof lithium safe or tested lithium bag. Store and keep at room temperature (17-22°C).

**Lifetime:**

The theoretical life of a cell at low discharge currents, is approximately 500 charge/discharge cycles. At medium discharge currents, the lifetime is lower and is only about 300 cycles. At high discharge currents, the number of cycles is in the range of 150-200 cycles. At very high discharge currents even significantly lower.

After that, the battery is used up and must be disposed of. If the lithium batteries are only discharged to approx. 70-75% during operation, they will thank you with a longer service life. Stop operation before a noticeable loss of power becomes apparent. Disconnect the battery from the load after operation to avoid further discharge.

**Memory effect, cell capacity**

Since lithium cells have no memory or lazy-battery effect, the discharge-charge (cycling, matching) required for NC and NiMH batteries is not necessary. Discharging before charging should also be avoided. Since the capacity of the lithium battery decreases slightly with each charge, this would cause unnecessary loss of capacity to the cell.

**Interconnecting battery packs**

Interconnecting lithium cells in series or parallel to increase voltage or capacity is problematic because of the differences in charge voltage and capacity. Only selected cells can be connected together to form a battery pack. For our lithium battery packs, only selected cells are connected together to form a battery pack.

**Disposal of rechargeable batteries**

Never dispose of rechargeable batteries in the household waste. To protect the environment, give defective or used batteries only discharged to the appropriate collection points. These are all sales points for batteries and rechargeable batteries, or municipal special waste collection points. To avoid short circuits, please tape off any bare contacts with adhesive tape.

**Disclaimer**

Since MODSTER cannot supervise the handling of the batteries, any liability and warranty is excluded.

## Important Note

- Please read the manual to learn the function of this product before operation. Damage to the product and potential personal injury may occur if you make an operational error.

This is a RC helicopter, not a toy. You should not only have a prudent operation, but also to have an operational basis. All children using it should be under adult supervision. The manual includes safety, operation and maintenance. In order to avoid causing damage or serious injury, please obey the instructions and warnings before you using this product.

## Additional Safety Precautions And Warnings

- 1.Recommended age of users: Not suitable for children under 14 years old.
- 2.Operate it in an open space, away from the traffic and people.
- 3.Obey the instructions and warnings, includes the use of optional equipment.
- 4.It has to stay away from chemicals. Small parts and electric equipment must be out of the reach of children.
- 5.Keep away from water because this product has no waterproof function.
- 6.Do not put any parts in the mouth, it will cause injury or death.
- 7.Don't operate the model if the transmitter's battery is in low voltage.
- 8.Don't view the beam of the light emitting diodes, it would effect the eyesight.
- 9.The motor and electric equipment will be heat after flight. Please do not touch them to avoid scald.
- 10.In order to avoid causing damage, please do not touch the high-speed.

## Warning and the Guide of Using Battery



**Note:** Using the original factory USB charger can ensure charging safety. Suggest you use the original factory USB charger part, other chargers may cause battery- and property damage.

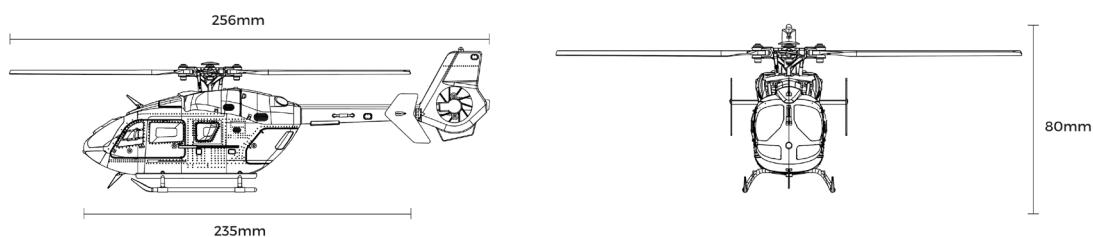
**Warnings!** The battery will fire, explode or leak if not strictly observing this item described below. :

1. Do not immerse the battery in water or seawater, and keep the battery in a cool dry environment during stands by period.
2. Keep all batteries out of the reach of little children. Consult a doctor immediately if a battery is swallowed.
3. Do not use or leave the battery near a heat source such as fire or heater.
4. Use the battery charger specifically for that purpose when recharging.
5. Do not reverse the positive (+) and negative (-) terminals.
6. Do not connect the battery to an electrical outlet.
7. Do not dispose the battery in fire or heat.
8. Do not short-circuit the battery by directly connecting the positive (+) and negative (-) terminals with metal objects such as wire.
9. Do not transport or store the battery together with metal objects such as necklaces, hairpins etc.
10. Do not strike or throw the battery against hard surface.
11. Do not directly solder the battery.
12. Do not unpack the battery with a nail or other sharp object.
13. Never disassembling the battery in any way.

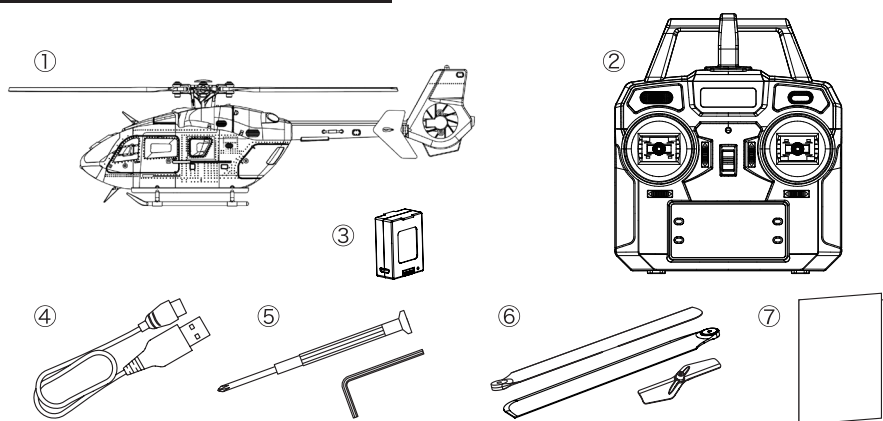
**Note:** The battery can not be placed for a long time under full power and low power. Otherwise, the battery will not be charged or the battery will be wrapped. For long-term storage, please charge the battery to 3.7V and store it in a dry and safe place.

## Helicopter Parameters

|                        |               |
|------------------------|---------------|
| Length:                | 235 mm        |
| Height:                | 80 mm         |
| Weight:                | 98G           |
| Propeller length:      | 256 mm        |
| Battery Specification: | 380 mAh       |
| Flight Time:           | About 15 min. |
| Main Motor:            | 1020          |
| Tail Motor:            | 0720          |
| Charge Time:           | About 45 min. |

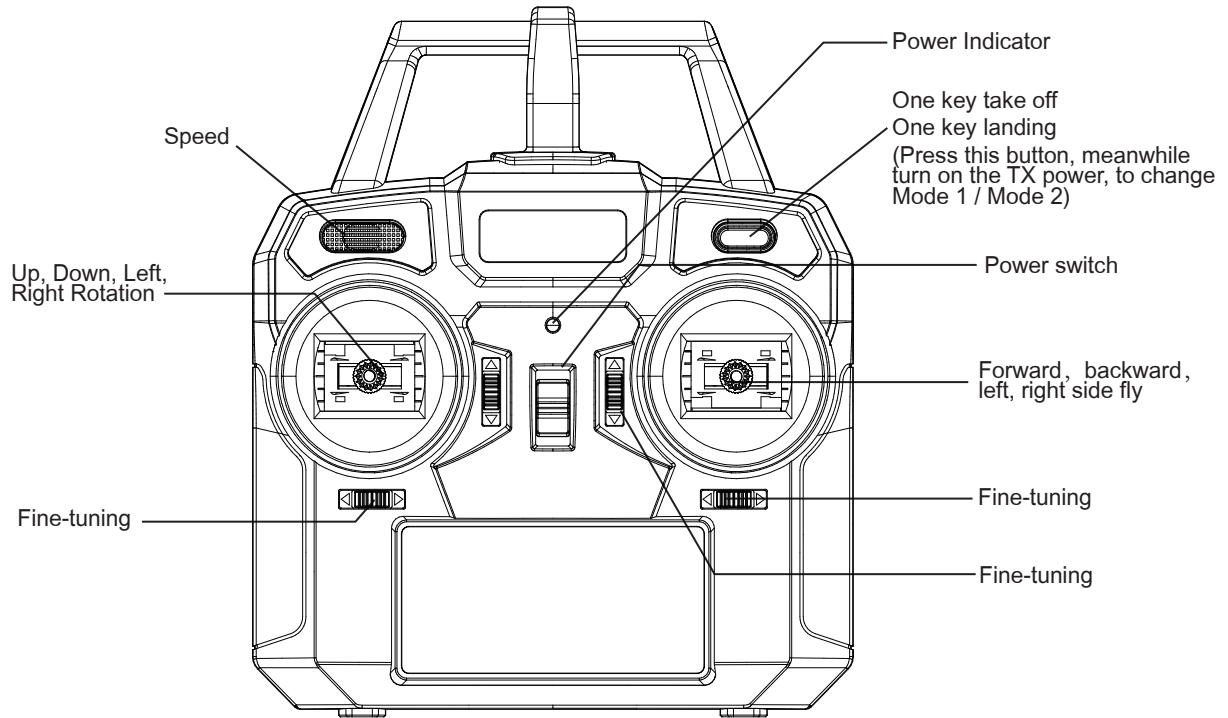


## Packaging List

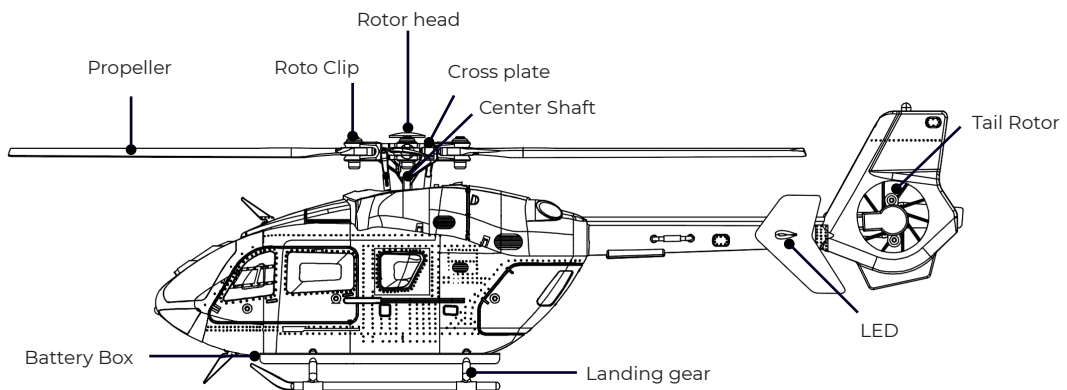


- ① Helicopter      ② Remote Control      ③ Lipo battery      ④ USB charger  
 ⑤ Phillips screwdriver+hex wrench      ⑥ Upper connecting rod / Propeller / tail rotor      ⑦ Instruction manual

# Introduction of transmitter function



# Parts



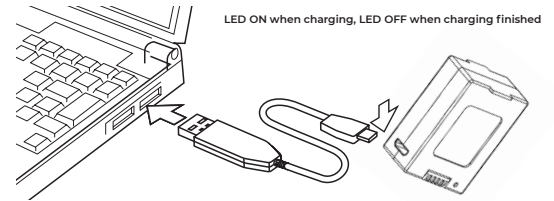
## Batteries Charging Method

### Charging Method 1:

Charging Battery by the USB port on a computer.

Description:

1. Connect the USB charger with USB port.
2. Connect the battery with USB charger: LED on when charging, LED OFF when charging finished



### Charging Method 2:

Charging Battery by power supply adapter.

Description:

1. Connect the USB charger with power supply adapter.
2. Connect the battery with USB charger: Blue light ladder flashes while charging Fully charged, four lights on

### Charging Method 3:

Charging Battery by power bank.

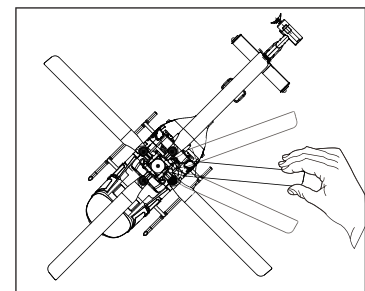
Description:

1. Connect the USB charger with power bank .
2. Connect the battery with USB charger: Blue light ladder flashes while charging Fully charged, four lights on

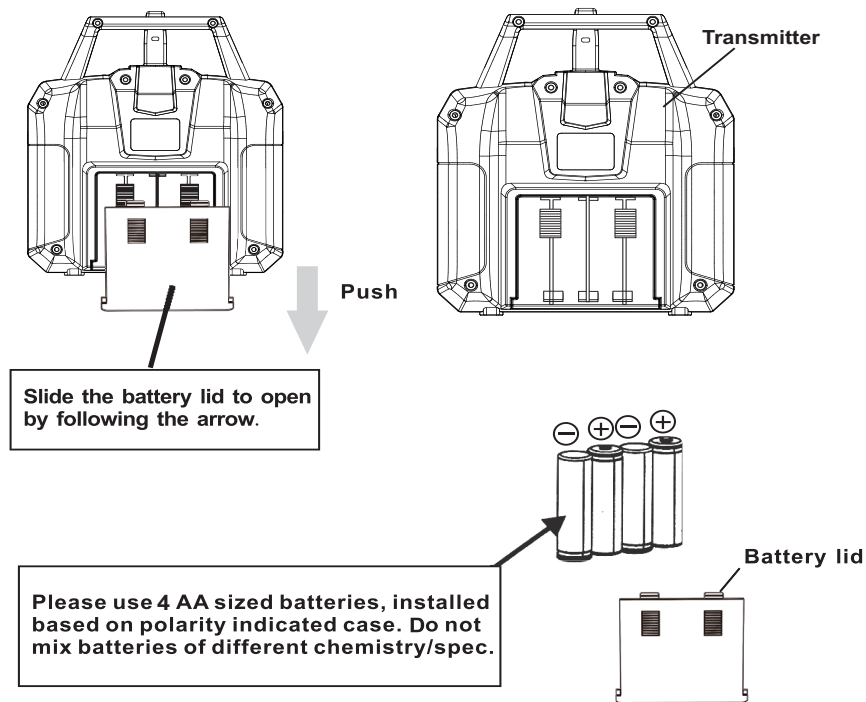
## First Flight Preparation CAUTION

1. ensure sufficient power supply of the transmitter and helicopter.
2. Keep a flight in a suitable space which away from the traffic, people, electricity pylons and pool.
3. Do not lock the main rotor screws too tightly to keep folding smoothly. If the main rotor screws are too tight, the helicopter will shake when flying.
4. Under emergency situation, you can press „sharp stop“ button for 3“ to land the helicopter without rotating.

Note: this action may cause helicopter crash.)



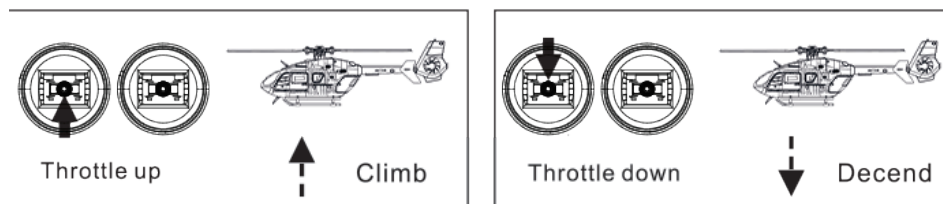
## Installation method of remote controller battery



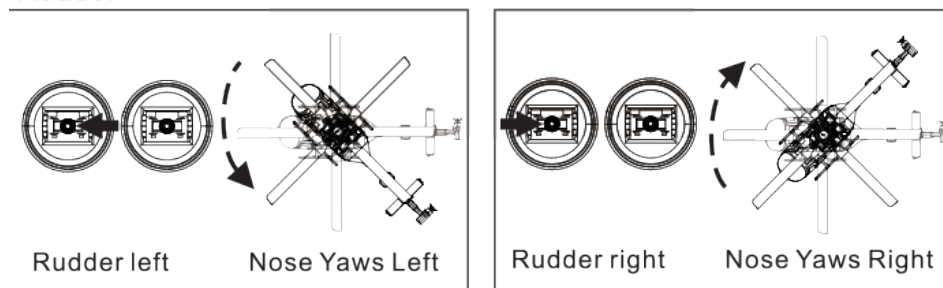
## Direction of operation

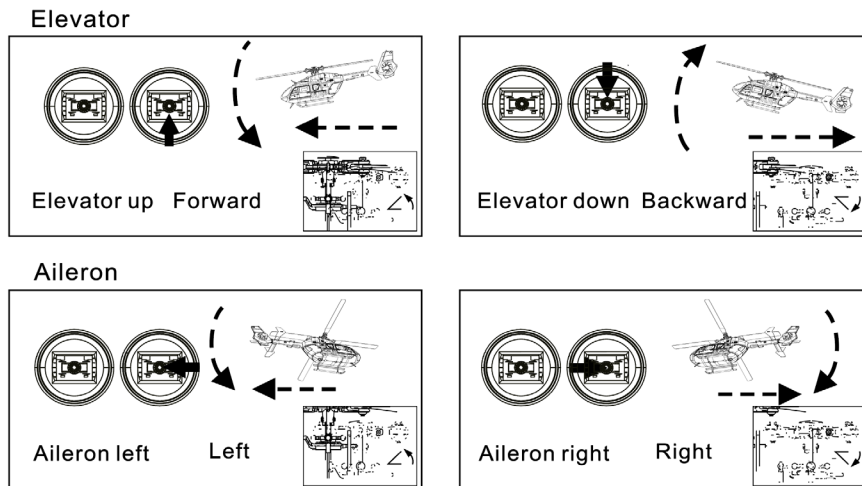
If you are unfamiliar with the control of the BO-105, take time to familiarize it before your first flight.

### Throttle



### Rudder





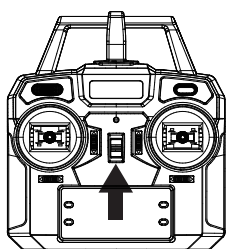
## Flight Operation Steps

1. Turn on the transmitter and let helicopter stay near to transmitter.
2. Install the aircraft battery in the battery compartment safely and securely. Press the power switch for 2 seconds to turn on the aircraft power.
3. The lights of the helicopter and the remote control flash at the same time. Then push the throttle stick from top to bottom quickly. The remote control makes a 'DI' sound, and the indicator lights of the helicopter and remote control are always on, which means binding successful.
4. Pull the two joysticks to outer eight angles to start the helicopter. (You can also press the one-key takeoff button to take off the helicopter directly.)
5. Keep the helicopter head forward, and keep safe distance with the helicopter.
6. When manually operating the aircraft to land, please keep the throttle stick at the bottom for 2-3 seconds, and then release it after the propeller has completely stopped rotating.  
(This operation is not required when using the one-key landing function)

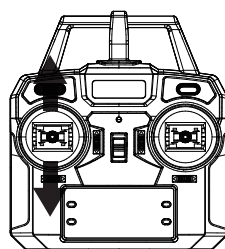


### Note:

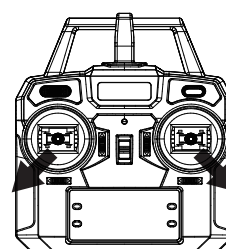
1. In order to avoid hitting, do not look at the helicopter at hip level when it fly.
2. In order to avoid distractions, please confirm without other transmitters at work around.



Corresponding to step 1C

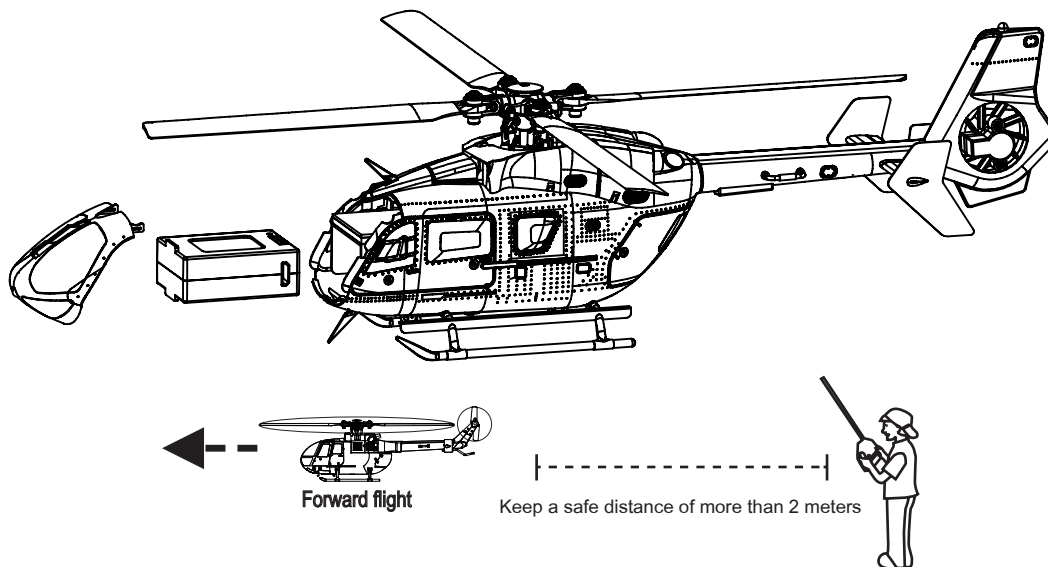


corresponding to step 3C



corresponding to step 4





**Note:**

Beginner should pay attention to the direction of flight. Keep the head forward to avoid causing injury.

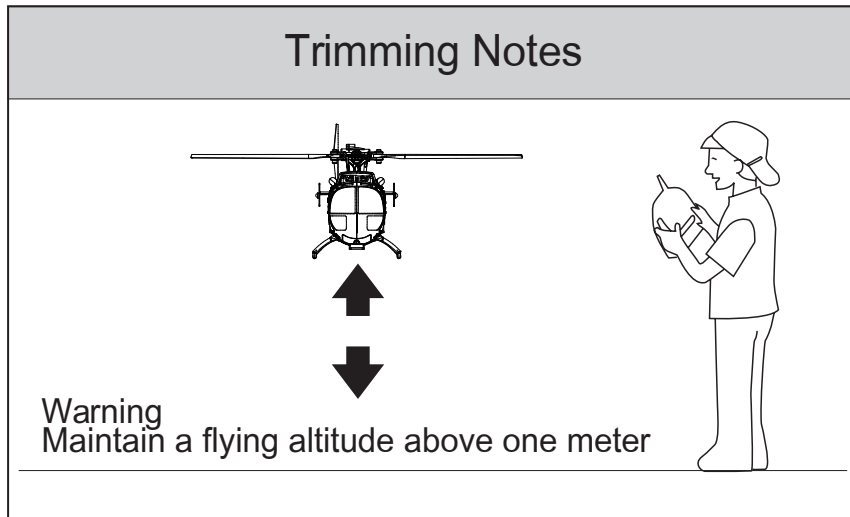
## Flight Yaw correction method

Press the trimming button when helicopter has yaw problems.

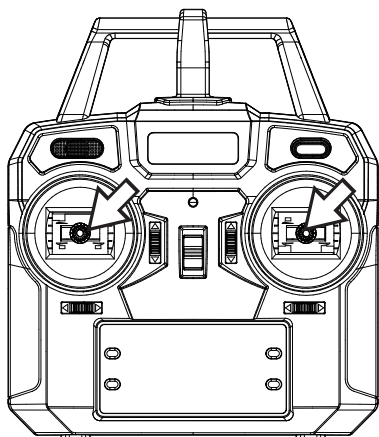
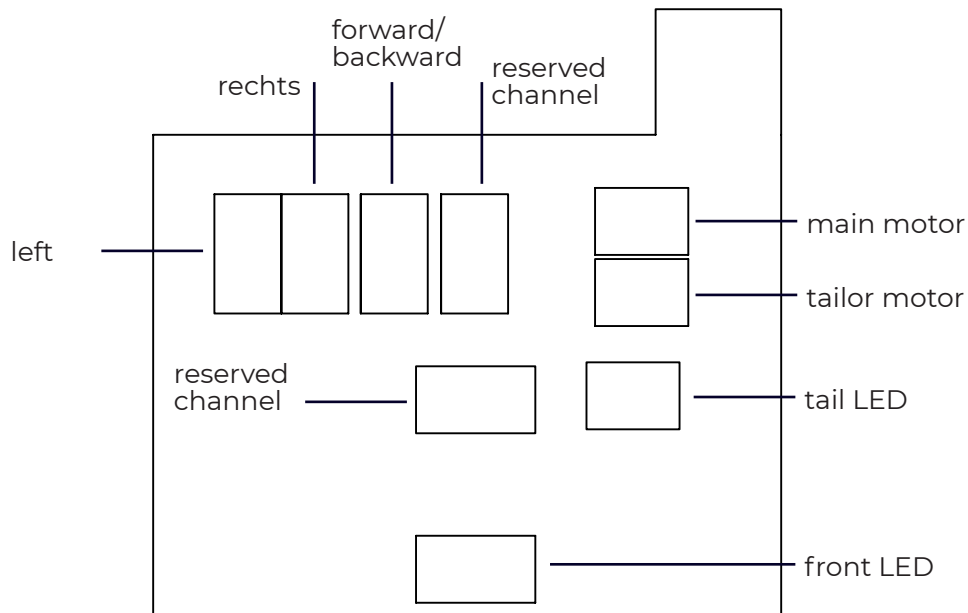
The helicopter has set up hovering. If you are dissatisfied with hovering or the helicopter have a yaw, please follow these steps to adjust.

Take off with the throttle joystick. According the direction of yaw, press the fine-tuning button in the opposite direction until the plane hovering.

|                          |  |  |   |
|--------------------------|--|--|---|
| Forward/<br>backward Yaw |  |  | Fine-tune according to the direction of the arrow |
| Left/right Yaw           |  |  | Fine-tune according to the direction of the arrow |
| Side fly Yaw             |  |  | Fine-tune according to the direction of the arrow |



Introduction of the corresponding socket of receiver

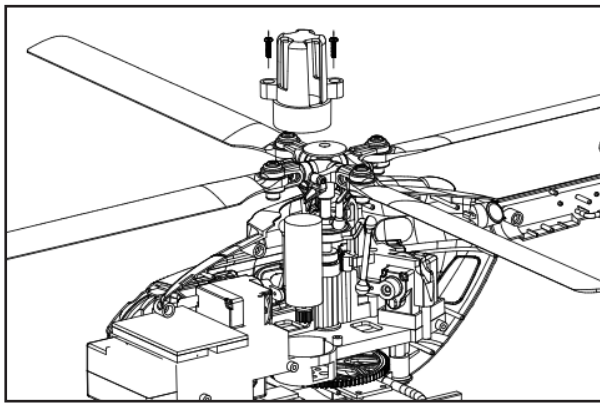
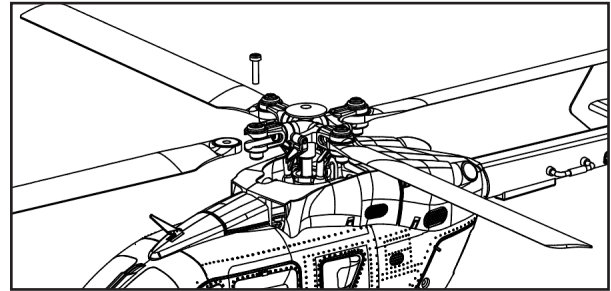


Gyro calibration method

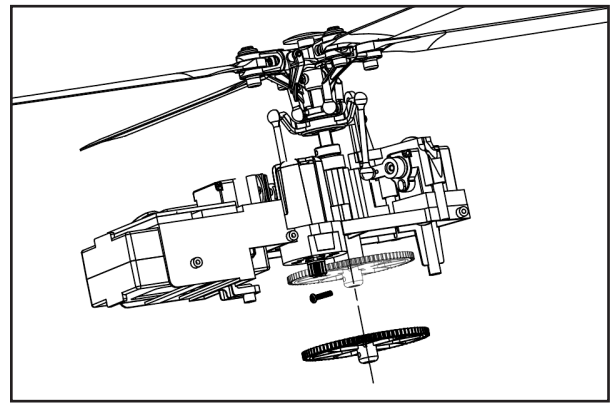
1. When flying yaw, first land and calibrate the gyroscope.
2. When calibrating the gyroscope, the aircraft must be placed on a level ground.
3. The indicator light will flash quickly during the calibration process, the indicator light stops flashing to take off.

## Commonly use parts replacements instructions

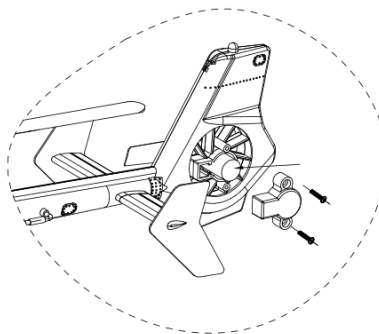
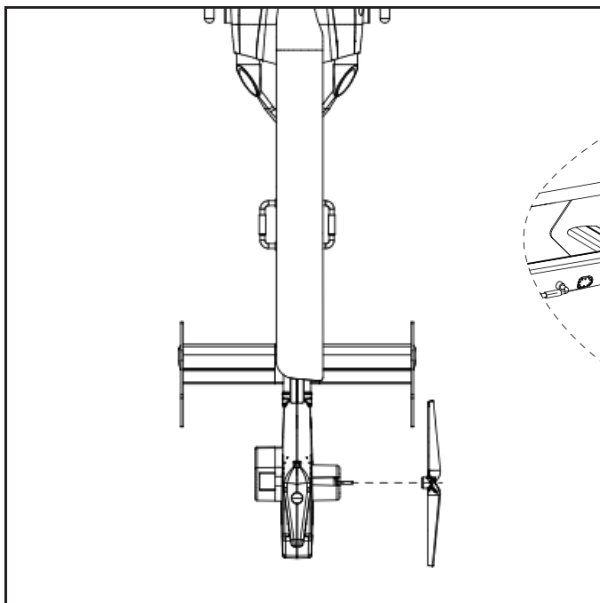
Remove the propeller with a hex wrench,  
Be careful not to be too tight when  
installing  
the new propeller



Unplug the plug, then twist the motor  
left and right to pull out



First pull out the screw, and then pull out  
the big gear directly downward.  
Pay attention to the direction when instal-  
ling the new gear. The plane of the shaft  
should be aligned with the plane of the  
inner hole of the gear.



When removing and replacing the tail  
rotor, please pay attention to the direc-  
tion, align the motor shaft and press it  
slowly to ensure smooth rotation.

## Abnormal Problem Solving Method

|   | <b>Problem</b>   | <b>Possible Cause</b>   | <b>Solution</b>   |
|---|--|---|---|
| 1 | Chopper power on. Taillight on Blinking, no response to operation.                               | The helicopter without bind with the transmitter.   | Bind the transmitter again  |
| 2 | After turning on the chopper power switch, the chopper Nothing happened.                         | Check the power supply of helicopter and transmitter;<br>Check the battery's voltage of the helicopter and transmitter;<br>Batteries had a poor connecting. | Check the installation site of Transmitter's batteries;<br>Use full voltage batteries;<br>Install the batteries again;<br>Confirm the batteries have a good connecting. |
| 3 | Push the throttle but the motor not at work, the receiver's signal light keep flashing           | Helicopter's battery has a low voltage;<br>The lipo battery has a poor connecting.  | Charge the battery or change a full charge battery;<br>Connect the battery with receiver again.   |
| 4 | Turn on the helicopter after bind, the main blade can rotate but the helicopter can not take off | Chopper battery low, no paddles, Loose or stuck   | Charge the battery or replace it with a fully charged one, The propeller will be reinstalled and turned smoothly.   |
| 5 | The helicopter is violently shaking  | Main rotor deformed<br>cross shaft bent tail rotor bent<br>Blade clamp screws are too tight to cause the main blade can not rotate                          | Change the main blade;<br>Change the cross shaft;<br>Change tail rotor;<br>Loose the blade clamp screw.   |
| 6 | Helicopter spinning to left after take off.  | Tail motor has a poor power;<br>The blades loose;<br>Tail motor was broken.   | Check the connection of tail blade and motor shaft. if loose, change tail blade or tail motor.  |
| 7 | The helicopter has a little yaw:   | made a operational error of the trimming button   | 1. According to its yaw direction, push the trimming button in the opposite direction;<br>2. Reset the hovering point.  |
| 8 | The helicopter has a serious yaw.  |   | Check the servo if work properly; Check the swash plate; Check the rod sticks if losing.  |



## Inhaltsverzeichnis

|   |       |
|---|-------|
| Einführung, Sicherheitshinweise, Gewährleistungsausschluss..... | 20-21 |
| Wichtige Hinweise.....  | 22    |
| Zusätzliche Sicherheitsvorkehrungen und Warnhinweise.....       | 22    |
| Warnung und Anleitung zur Verwendung des Akkus.....             | 23    |
| Hubschrauber-Parameter Verpackungsliste.....                    | 24    |
| Einführung in die Senderfunktion Teile.....                     | 25    |
| Batterien Lademethode Erstflug Vorbereitung Vorsicht.....       | 26    |
| Einbaumethode für den Akku des Fernsteuergeräts.....            | 27    |
| Betriebsanleitung.....  | 27    |
| Flugbetrieb Schritte.....                                       | 28    |
| Flug Gierkorrekturmethode.....                                  | 29-30 |
| Anweisungen zum Austausch von Teilen.....                       | 31    |
| Methode zur Lösung ungewöhnlicher Probleme.....                 | 32    |

## 1. Einleitung

Wir danken Ihnen sehr, dass Sie sich für dieses Produkt entschieden haben. Es wurde mit Sorgfalt nach den geltenden europäischen Vorschriften produziert, geprüft und verpackt. Packen Sie den Inhalt bitte vorsichtig aus. Bitte überprüfen Sie sofort nach Erhalt, ob alle zum Lieferumfang gehörenden Teile vorhanden sind und ob Transportschäden vorliegen. Sollte es Anlass für Beanstandungen geben, wenden Sie sich bitte umgehend an uns.

## 2. Sicherheitshinweise

*Bitte lesen Sie beiliegende Anleitungen vor der Montage und der ersten Benutzung aufmerksam durch!*

Sie erhalten wichtige Hinweise für den Gebrauch des Produktes. Bewahren Sie diese Anleitung zur Information bzw. für Ersatzteilbestellungen auf. Wenn Sie ferngesteuerte Modellflugzeuge, -hubschrauber, -autos oder -schiffe erstmalig betreiben, empfehlen wir Ihnen, einen erfahrenen Modellpiloten um Hilfe zu bitten.

1. Empfohlenes **Alter** der Benutzer: Nicht geeignet für Kinder unter 14 Jahren.
2. Vergewissern Sie sich, dass Sie **genügend Platz** für den Betrieb des Produktes haben.
3. Befolgen Sie die Anweisungen und Warnungen, um jegliche Schäden zu vermeiden.
4. Es muss **von Chemikalien ferngehalten werden**. Kleinteile und elektrische Geräte müssen außerhalb der Reichweite von Kindern sein.
5. Halten Sie es **von Wasser fern**, da dieses Produkt keine wasserdichte Funktion hat.
6. Stecken Sie keine Teile in den Mund, da dies zu Verletzungen oder zum Tod führen kann.
7. Betreiben Sie das Modell nicht, wenn die Batterie des Senders eine niedrige Spannung aufweist.
8. Schauen Sie nicht in den Strahl der Leuchtdioden, da dies das **Sehvermögen beeinträchtigen** würde.
9. Der Motor und die elektrische Ausrüstung werden nach dem Flug heiß. Bitte berühren Sie sie nicht, um **Verbrennungen** zu vermeiden.
10. Greifen Sie nicht während des Betriebes in die Rotorblätter, um Verletzungen zu vermeiden
11. Fliegen Sie **nicht** bei feuchtem Wetter oder Regen
12. Beachten Sie den **nötigen Sicherheitsabstand** zu Gebäuden und Menschen
13. Führen Sie vor jedem Flug einen **Funktionscheck** durch, ansonsten erlischt die Garantie/Gewährleistung
14. Beachte Sie die gesonderten Hinweisse zum Laden der Akkus, es besteht Brandgefahr

## 4. Ersatzteile

Wenn Sie Ersatzteile für Ihren Hubschrauber benötigen, verwenden Sie bei der Bestellung bitte unsere Ersatzteilnummern. Diese finden Sie in der folgenden Liste:

| Artikelnummer: | Ersatzteil:  |
|----------------|--|
| 291332         | MODSTER BO 105/EC-135: Spindel Schraube                |
| 291333         | MODSTER BO 105/EC-135: Taumelscheibe und Steuerstangen |
| 291336         | MODSTER BO 105/EC-135: Motor                           |
| 291339         | MODSTER BO 105/EC135: Hauptzahnrad                     |
| 295338         | MODSTER BO 105/EC135: Fernsteuerung Version 2022       |
| 295772         | HB MODSTER EC-135 ÖAMTC Flybarless Elektro RTF         |
| 295773         | HB MODSTER EC-135 Polizei Flybarless Elektro RTF       |
| 295819         | MODSTER EC-135: Rotorkopf                              |
| 295821         | MODSTER EC-135: Blatthalter                            |
| 295822         | MODSTER EC-135: Akku                                   |
| 295823         | MODSTER EC-135: Landegestell                           |
| 295824         | MODSTER EC-135: Heckrotorblätter                       |
| 295825         | MODSTER EC-135: Heckmotor                              |
| 295826         | MODSTER EC-135: LED Heck                               |
| 295827         | MODSTER EC-135: Rotorblätter                           |
| 295828         | MODSTER EC-135: Flight Controller                      |
| 295829         | MODSTER EC-135: Rumpfzelle Polizei                     |
| 295830         | MODSTER EC-135: ÖAMTC                                  |
| 295831         | MODSTER EC-135: Schraubenset                           |
| 295832         | MODSTER EC-135: Hauptrahmen                            |

## 5. Verpackungsinhalt

Bevor Sie mit dem Bau beginnen, überprüfen Sie bitte die Teile auf Qualität und Vollständigkeit. Sollte ein Teil fehlen oder beschädigt sein, oder sollten Sie Fragen haben, kontaktieren Sie uns bitte:

MSG Online GmbH

## 6. Akku

- Halten Sie den Akku von Kindern fern.
- Vorsicht im Umgang mit Akkupacks mit hohen Zellenzahlen. Unbedingt auf gute Isolierung achten, es besteht die Gefahr eines Stromschlags.
- Ausgelaufenes Elektrolyt nicht in Verbindung mit Feuer bringen, dieses ist leicht brennbar und kann sich entzünden. Im Falle einer Explosion oder Brandes die Akkus niemals mit Wasser löschen. Nur mit Trockenlöschmittel (Sand, etc.) löschen oder durch Abdecken die Flammen ersticken.
- Die Elektrolytflüssigkeit sollte nicht in die Augen kommen, wenn doch, sofort mit viel klarem Wasser auswaschen und anschließend einen Arzt aufsuchen.
- Auch von Kleidern und anderen Gegenständen kann die Elektrolytflüssigkeit mit viel Wasser aus- bzw. abgewaschen werden.
- Lithium-Akkus keiner übermäßigen Kälte oder Hitze und direkter Sonneneinstrahlung aussetzen. Akku nicht erhitzen, ins Feuer werfen oder in die Mikrowelle legen. Laden und lagern Sie die Akkus in einem feuerfesten Behälter oder Lithium-Safe (zB AN-262582).
- Akku keinem Druck oder Stoß aussetzen, deformieren oder werfen. Vor Unfall oder Absturz schützen. Beschädigte Akkus in keinem Fall mehr verwenden und fachgerecht entsorgen.
- Ladegerät und angeschlossene Akkus niemals auf brennbare, oder leitende Unterlagen legen. Nie in der Nähe von brennbarem Material oder Gasen betreiben. Ein Laden des Akkus im Modell kann im Falle eines Defektes zum Abbrennen des Modells führen! Lassen Sie den Akku während des Lade-Entladevorgangs sowie im Betrieb nicht unbeaufsichtigt. Lesen Sie vor dem Laden die Anleitung des Ladegerätes sorgfältig.
- Keine Akkus laden, die stark erwärmt oder unterkühlt sind. Akkus vor dem Laden auf ca. 20-30°C abkühlen lassen bzw. aufwärmen.
- Es dürfen nur Zellen gleicher Kapazität und gleichen Fabrikats im Verbund geladen werden.
- Achten Sie unbedingt auf richtige Polung der Akkus und verhindern Sie Kurzschlüsse, insbesondere durch nicht isolierte Stecksysteme.
- Bei Kontakt mit Wasser/eindringen von Feuchtigkeit in die Batterie besteht Explosionsgefahr durch Kurzschluß.
- Nicht verpolt Laden.
- Nicht direkt am Akku löten.
- Akku nicht verändern oder öffnen.
- Akkus nicht über 4,2 Volt (+/-0,05V) pro Zelle laden und nicht unter 3 Volt pro Zelle entladen.
- Akkus nur mit dafür geeigneten Lithium-Akku Ladegeräten mit angeschlossenen oder eingebautem Equalizer/Balancer laden, niemals direkt an ein Netzteil anschließen.
- Akku nicht an Orten benutzen welche hoher statischer Entladung ausgesetzt sind.
- All dies kann dazu führen, dass der Akku Schaden nimmt, explodiert oder Feuer fängt.
- Akkus niemals unbeaufsichtigt laden!
- Niemals im Modell oder innerhalb eines KFZ laden, aufbewahren oder lagern.

## Ladeverfahren

Benutzen Sie nur Ladegeräte, die vom Hersteller ausdrücklich für die Verwendung mit Lithiumakkus freigegeben wurden. Lithium-Akkus können nur nach dem CC-CV Ladeverfahren geladen werden. Achten Sie auf die richtige Auswahl am Ladegerät. In der ersten Ladephase hält das Ladegerät den Ladestrom konstant. Bei einem Ladestrom von 1C und einem entladenen Akku, dauert diese erste Phase ca. 50- 60 Minuten. Dabei wird eine Akkukapazität von ca. 80-90 % eingeladen. Bei Erreichen der Lade-schlussspannung von 4,2 Volt/Zelle, wird nur noch die Spannung konstant gehalten, der Ladestrom sinkt ab. Für das Einladen der restlichen Kapazität werden weitere 35 -40 Minuten benötigt. Erreicht der Wert die untere Stromgrenze von ca. 5-10% des vorgegebenen Ladestromes, erfolgt die Abschaltung des Ladevorgangs durch das Ladegerät. Bei einer Laderate von 1C bedeutet dies, dass der gesamte Ladevorgang bei entladenerm Akku ca. 90 Minuten dauert. Für den ersten Ladevorgang wird ein geringerer Ladestrom von 0,3-0,5 C empfohlen. Durch diese Maßnahme wird die Balancierung erleichtert und die Lebensdauer des Akkus erhöht.

## Voltage-Sensor-Kabel

Durch unterschiedliche Zellentemperatur während des Entladevorgangs, erhalten die einzelnen Zellen nach und nach unterschiedliche Ladungszustände und Spannungslagen. Die angelegte Gesamt-Ladeschlussspannung verteilt sich dann nicht gleichmäßig auf die einzelnen Zellen, wodurch Zellen mit höherer Spannungslage überladen werden können. Zur Messung der Einzelzellenspannung besitzen die Lithium-Akkus eine separate Steckverbindung (Voltage-Sensor-Kabel), von der ein Kabel an jede Einzelzelle führt. Das schwarze Kabel (Pin1) ist der Minuspol der ersten Zelle, Pin2 der Pluspol. Der jeweils nächste Kontakt ist der jeweilige Pluspol der Folgezelle. Verbinden Sie zum Laden das Voltage Sensorkabel mit dem Equalizer/Balanceranschluss am Ladegerät wodurch bequem und automatisch alle Zellen gleichzeitig auf den gleichen Spannungswert gebracht werden. Zudem wird die Spannung jeder einzelnen Zelle überwacht.



**Technische Daten:**

Nennspannung: 3,7 Volt/ Zelle  
Kleine Laderaten schonen den Akku,  
hohe Laderaten reduzieren die Zyklenzahl um ca. 10%  
Ladeschlussspannung: 4,2 Volt/Zelle (auf 0,05 Volt genau einzuhalten)

**Entladerate / Entladestrom:**

Je nach Akkutyp, z.B. ein 25C-Akku kann konstant mit 25C (25-fache der Nennkapazität in Ah), und kurzzeitig (für 3 Sekunden) bis zu 50C (doppelter Wert der Konstantentladerate) entladen werden. Beispiele:  
- 25C (Entladerate), heißt Kapazitätswert x C-Rate = Entladestrom.  
- 25C-Akku mit 1000mAh (1Ah) x 25C = 25A Entladestrom Dauer/50A kurzzeitig  
- 30C-Akku mit 1000mAh (1Ah) x 30C = 30A Entladestrom Dauer/60A kurzzeitig  
- 45C Akku mit 1000mAh (1Ah) x 45C = 45 A Entladestrom Dauer/90A kurzzeitig

**Entladeschlussspannung:**

Lithium-Zellen sollten unter Last, spätestens bei ca. 3 Volt /Zelle abgeschaltet werden. Bei Unterschreitung des Grenzwertes kann die Zelle zerstört werden, explodieren und zu brennen beginnen.

**Maximale Temperaturen:**

Laden: +45°C, Entladen +60°C

**Temperaturverhalten**

Lithium Zellen besitzen eine ausgeprägte Temperaturkurve.  
Bei Temperaturen unter 10...15°C ist die entnehmbare Kapazität deutlich geringer als bei 20...35°C. Auch bei höheren Temperaturen (über 35...40°C) ist die entnehmbare Kapazität merklich geringer. Sowohl beim Laden als auch Entladen sollte die maximale Zellen - Außentemperatur nicht überschritten werden, da sonst die Zelle dauerhaften Schaden in Form von Kapazitätsverlust nimmt. Bei längerer Überschreitung wird sie zerstört, kann explodieren und zu brennen beginnen.

**Selbstentladung:**

Lithium Zellen besitzen eine extrem geringe Selbstentladungsrate (ca. 0,2% pro Tag) und können deshalb problemlos über lange Zeit gelagert werden. Sinkt die Spannung unter 3 Volt/Zelle, so muss unbedingt nachgeladen werden. Eine Tiefentladung ist zu vermeiden, da die Zelle sonst dauerhaften Schaden in Form von Kapazitätsverlust nimmt und den Akkupack unbrauchbar macht.

**Lagerung:**

Vor längerer Lagerung sollten die Akkus auf die Lagerspannung von ca. 3,8...3,9 Volt/ Zelle aufgeladen werden. Nach ca. 3-5 Monaten sollte erneut nachgeladen werden. Niemals vollgeladen lagern oder aufbewahren sondern erst unmittelbar vor dem Einsatz voll aufladen. Bewahren Sie die Akkus in einem feuerfesten Lithium-Safe oder geprüften Lithium-Sack auf. Lagerung und Aufbewahrung bei Zimmertemperatur (17-22°C).

**Lebensdauer:**

Die theoretische Lebensdauer einer Zelle bei geringen Entladeströmen, liegt bei ca. 500 Lade/Entladezyklen. Bei mittleren Entladeströmen ist die Lebensdauer geringer und liegt nur noch bei ca. 300 Zyklen. Bei hohen Entladeströmen liegt die Zyklenzahl im Bereich von 150-200 Zyklen. Bei sehr hohen Entladeströmen noch deutlich darunter. Danach ist der Akku verbraucht und muss entsorgt werden. Werden die Lithium-Akkus im Betrieb nur zu ca. 70-75 % Entladen, so danken sie das mit einer längeren Lebensdauer. Stellen Sie den Betrieb ein, bevor sich ein spürbarer Leistungsverlust bemerkbar macht. Akku nach dem Betrieb vom Verbraucher trennen, um weitere Entladung zu vermeiden.

**Memory Effekt, Zellenkapazität**

Da Lithium Zellen keinen Memory oder Lazy-battery-effect besitzen, ist das bei NC- und NiMH - Akkus erforderliche Entladen- Laden (Zyklen, Matches) nicht erforderlich. Auch ein Entladen vor dem Laden ist zu vermeiden. Da sich mit jeder Ladung die Kapazität des Lithium-Akkus geringfügig verringert, würde dies der Zelle unnötigen Kapazitätsverlust zufügen.

**Zusammenstellen von Akkupacks**

Das Zusammenschalten von Lithium - Zellen in Reihe oder Parallel, zur Spannungs- oder Kapazitätserhöhung ist wegen der Ladespannungs - und Kapazitätsunterschiede problematisch. Es können nur selektierte Zellen zu einem Akkupack zusammengeschaltet werden. Für unsere Lithium-Akkupacks werden nur selektierte Zellen zu einem Akkupack zusammengeschaltet.

**Entsorgung der Akkus**

Werfen Sie Akkus auf keinen Fall in den Hausmüll. Um die Umwelt zu schützen, geben Sie defekte oder verbrauchte Akkus nur entladen zu den entsprechenden Sammelstellen. Dies sind alle Verkaufsstellen für Batterien und Akkus, oder kommunale Sondermüllsammelstellen. Um Kurzschlüsse zu vermeiden, kleben sie bitte eventuell blanke Kontakte mit Klebestreifen ab.

**Haftungsausschluss**

Da MODSTER den Umgang mit den Akkus nicht überwachen kann, wird jegliche Haftung und Gewährleistung ausgeschlossen

## Wichtige Anmerkung

- Bitte lesen Sie das Handbuch, um sich mit der Funktion dieses Produkts vertraut zu machen, bevor Sie es betreiben.

Wenn Sie einen Bedienungsfehler machen, kann das Produkt beschädigt werden und es kann zu Verletzungen kommen.

Dies ist ein RC-Hubschrauber, kein Spielzeug. Alle Kinder, die ihn benutzen, sollten unter Aufsicht stehen. Das Handbuch beinhaltet Sicherheit, Betrieb und Wartung. Um Schäden oder schwere Verletzungen zu vermeiden, beachten Sie bitte die Anweisungen und Warnungen, bevor Sie dieses Produkt benutzen.

## Sicherheitsvorkehrungen und Warnhinweise

1. Nicht geeignet für Kinder unter 14 Jahren.
2. Betreiben Sie es in einem offenen Raum, weg vom Verkehr und Menschen.
3. Befolgen sie die Anweisungen und Warnungen, einschließlich der Anweisungen zur Verwendung von Sonderzubehör.
4. Es muss von Chemikalien ferngehalten werden. Kleine Teile und elektrische Geräte müssen außerhalb der Reichweite von Kindern sein.
5. Halten Sie es von Wasser fern, da dieses Produkt nicht wasserdicht ist.
6. Stecken Sie keine Teile in den Mund, da dies zu Verletzungen oder zum Tod führen kann.
7. Betreiben Sie das Modell nicht, wenn die Batterie des Senders eine niedrige Spannung aufweist.
8. Schauen Sie nicht in den Strahl der Leuchtdioden, das würde das Sehvermögen beeinträchtigen.
9. Der Motor und die elektrische Ausrüstung werden nach dem Flug heiß. Bitte berühren Sie sie nicht, um Verbrennungen zu vermeiden.

## Warnung und Anleitung: Verwendung Batterie



**Hinweis:** Die Verwendung des Original-USB-Ladegeräts kann die Ladesicherheit gewährleisten. Wir empfehlen Ihnen, das Original-USB-Ladegerät zu verwenden, andere Ladegeräte können Batterie- und Sachschäden verursachen.

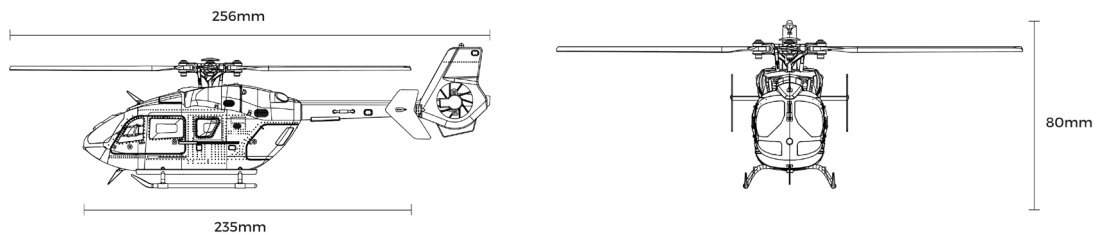
**Warnungen!** Die Batterie kann in Brand geraten, explodieren oder auslaufen, wenn dieser Punkt nicht genau beachtet wird. :

1. Tauchen Sie die Batterie nicht in Wasser oder Seewasser und bewahren Sie sie während der Bereitschaftszeit in einer kühlen, trockenen Umgebung auf.
2. Bewahren Sie alle Batterien außerhalb der Reichweite von kleinen Kindern auf. Suchen Sie sofort einen Arzt auf, wenn eine Batterie verschluckt wurde.
3. Verwenden Sie die Batterie nicht in der Nähe von Wärmequellen wie Feuer oder Heizungen und lassen Sie sie nicht dort liegen.
4. Verwenden Sie zum Aufladen das dafür vorgesehene Ladegerät.
5. Vertauschen Sie nicht die positiven (+) und negativen (-) Pole.
6. Schließen Sie die Batterie nicht an eine Steckdose an.
7. Werfen Sie die Batterie nicht ins Feuer oder in die Hitze.
8. Schließen Sie die Batterie nicht kurz, indem Sie den Pluspol (+) und den Minuspol (-) direkt mit Metallgegenständen verbinden. Pluspol (+) und Minuspol (-) nicht mit Metallgegenständen wie z. B. Draht verbinden.
9. Transportieren oder lagern Sie die Batterie nicht zusammen mit Metallgegenständen wie Halsketten, Haarnadeln usw.
10. Schlagen oder werfen Sie die Batterie nicht gegen eine harte Oberfläche.
11. Löteten Sie den Akku nicht direkt.
12. Packen Sie den Akku nicht mit einem Nagel oder einem anderen scharfen Gegenstand aus.
13. Nehmen Sie den Akku auf keinen Fall auseinander.

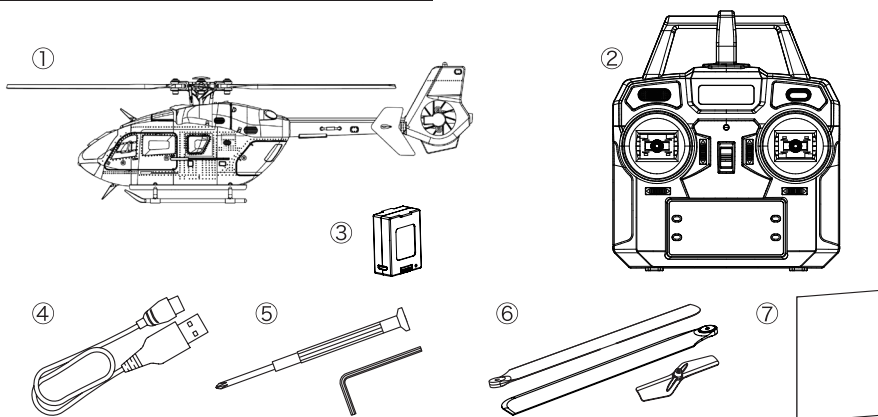
**Hinweis:** Der Akku darf nicht geladen werden, wenn er ganz voll oder ganz leer ist. Für eine langfristige Lagerung laden Sie den Akku bitte auf 3,7 V auf und lagern Sie ihn an einem trockenen und sicheren Ort.

## Hubschrauber-Parameter

|                             |                |
|-----------------------------|----------------|
| Länge:                      | 235 mm         |
| Höhe:                       | 80 mm          |
| Gewicht:                    | 98G            |
| Propeller Länge:            | 256 mm         |
| Spezifikation der Batterie: | 380 mAh        |
| Flugzeit:                   | Ca. 15 Minuten |
| Hauptmotor:                 | 1020           |
| Heckmotor:                  | 0720           |
| Ladezeit:                   | Ca. 45 Minuten |

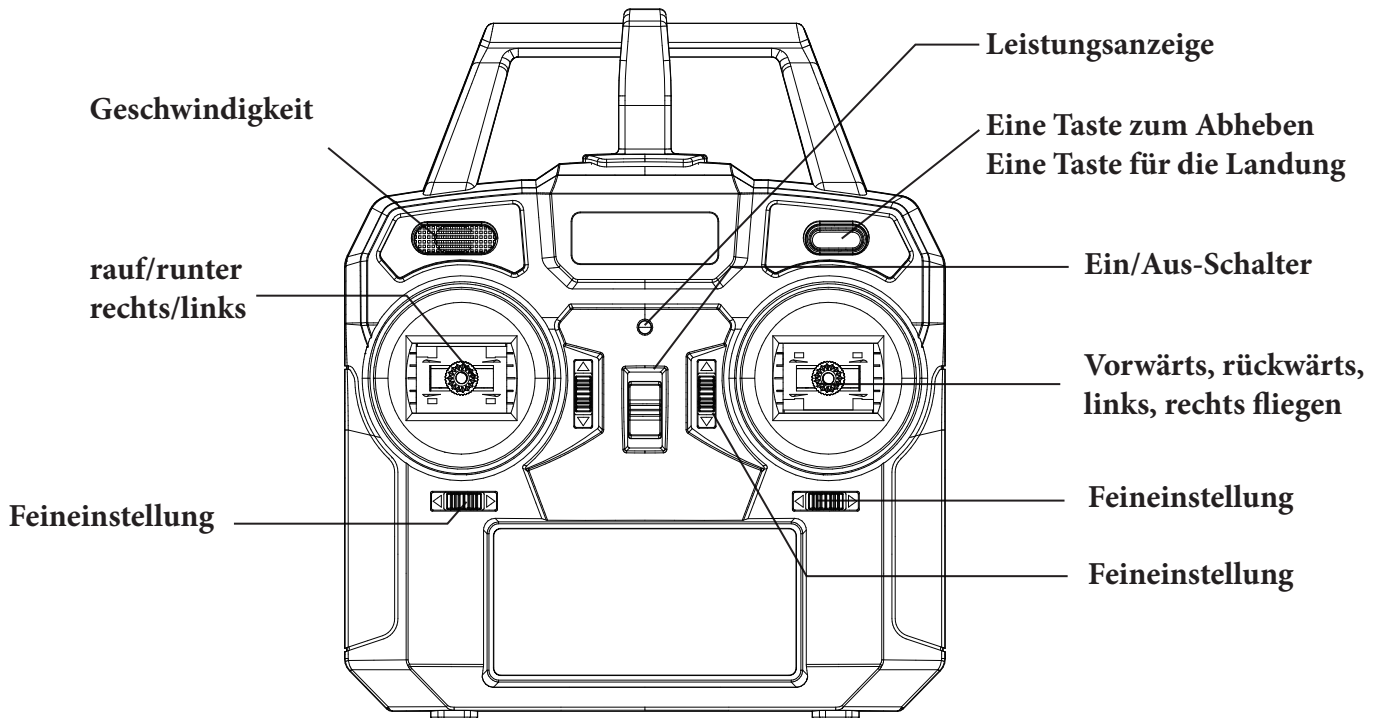


## Verpackungsliste

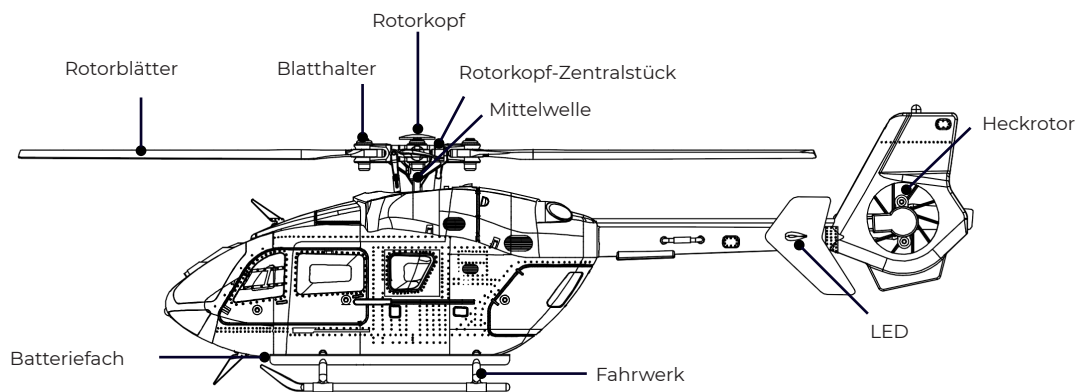


- ① Helikopter      ② Fernsteuerung      ③ LiPo Batterie      ④ USB Lader
- ⑤ Philipps-Schraubendreher+Schraubenschlüssel      ⑦ Betriebsanleitung
- ⑥ Rotorblätter / Heckrotor

## Einführung der Senderfunktion



## Teile



## Batterien Lademethoden

### Lademethode 1:

Aufladen über USB-Anschluss eines Computers.

Beschreibung:

1. Schließen Sie das USB-Ladegerät an den USB-Anschluss an.
2. Verbinden Sie den Akku mit dem USB-Ladegerät: LED an während des Ladens, LED aus wenn vollständig geladen.



### Lademethode 2:

Aufladen des Akkus über einen Netzadapter.

Beschreibung:

1. Verbinden Sie das USB-Ladegerät mit dem Stromversorgungsadapter.
2. Verbinden Sie den Akku mit dem USB-Ladegerät: Die blaue Lichtleiter blinkt während des Ladevorganges. Bei vollem Akku leuchten vier Lichter.

### Lademethode 3:

Aufladen des Akkus durch eine Powerbank.

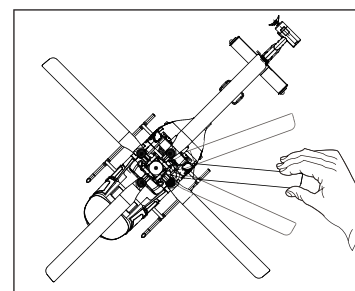
Beschreibung:

1. Verbinden Sie das USB-Ladegerät mit der Powerbank.
2. Verbinden Sie den Akku mit dem USB-Ladegerät: Die blaue Lichtleiter blinkt während des Ladevorganges. Bei vollem Akku leuchten vier Lichter.

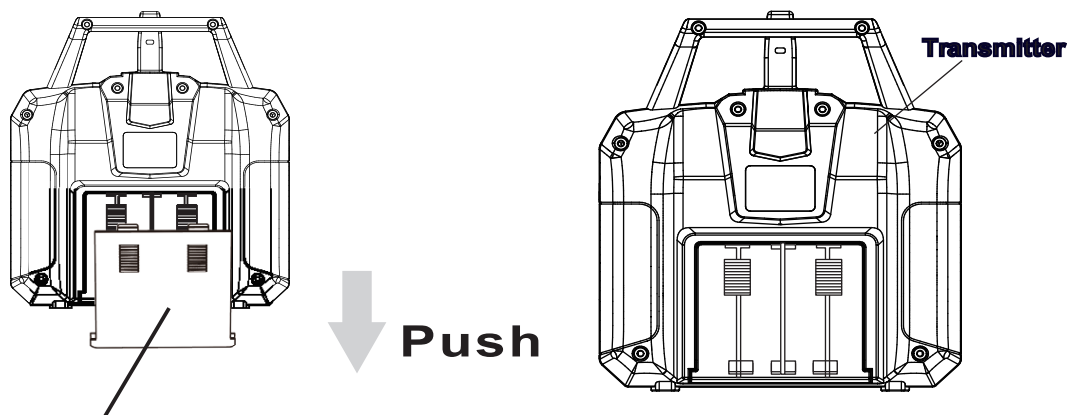
## Vorbereitung auf den Erstflug VORSICHT

1. Sorgen Sie für ausreichende Stromversorgung des Senders und des Hubschraubers.
2. Fliegen Sie an geeigneten Plätzen: Entfernt vom Verkehr, Menschen, Strommasten und Wasser.
3. Ziehen Sie die Schrauben des Hauptrotors nicht zu fest an, um ein reibungsloses Falten zu gewährleisten. Ansonsten wird der Hubschrauber vibrieren.
4. In einer Notsituation können Sie die rechte Taste „3 Sekunden lang drücken, um den Hubschrauber ohne Drehung zu landen.

**Hinweis:** Diese Aktion kann zum Absturz des Hubschraubers führen.

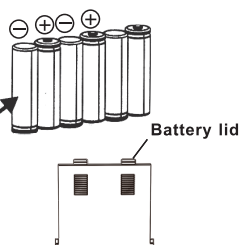


## Installation für Batterie der Fernbedienung



Schieben Sie den Batteriedeckel auf, indem Sie dem Pfeil folgen.

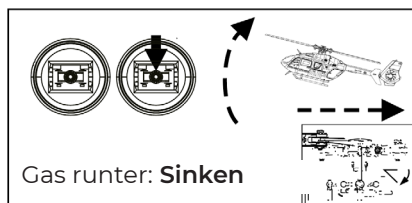
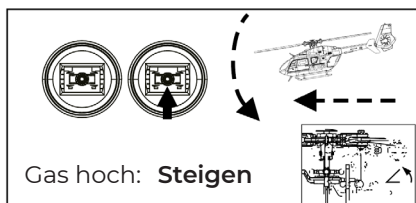
Bitte verwenden Sie 4 Batterien der Größe AA, die entsprechend der angegebenen Polarität eingesetzt werden. Mischen Sie keine Batterien mit unterschiedlicher Chemie/Spezifikation.



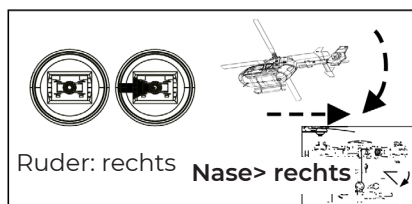
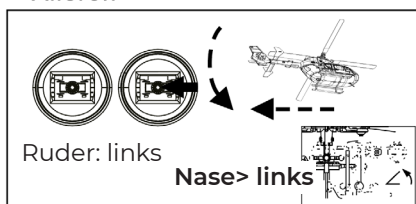
## Wirkrichtung der Funktionen

Wenn Sie mit der Steuerung nicht vertraut sind, nehmen Sie sich vor Ihrem ersten Flug, Zeit sich mit ihr vertraut zu machen.

### Drosselklappe

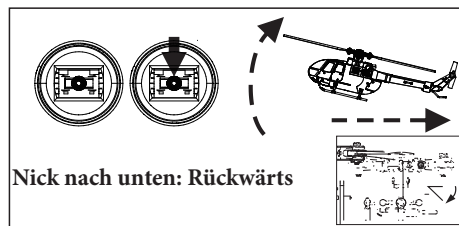
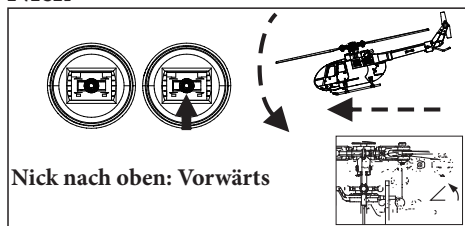


### Aileron

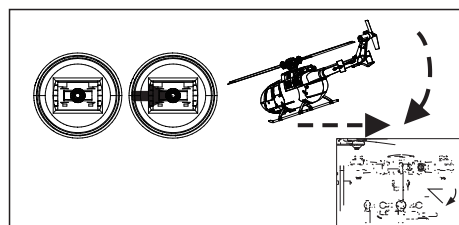
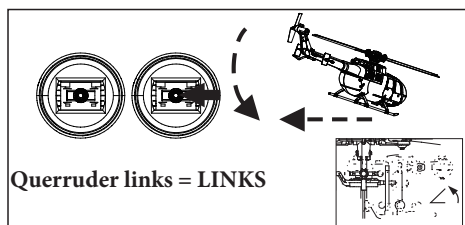




## Nick



## Querruder



## Schritte vor dem Flugbetrieb

1 Schalten Sie den Sender ein und lassen Sie den Hubschrauber in der Nähe des Senders stehen.

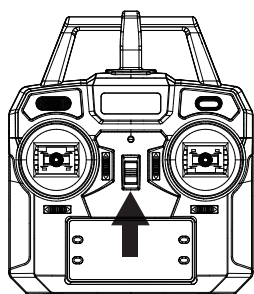
2. Legen Sie den Flugakku sicher und fest in das Akkufach ein. Drücken Sie den Schalter für 2 Sekunden, um das Fluggerät einzuschalten.

3. die Lichter des Hubschraubers und der Fernsteuerung blinken gleichzeitig. Drücken Sie dann den Gashebel schnell von oben nach unten.

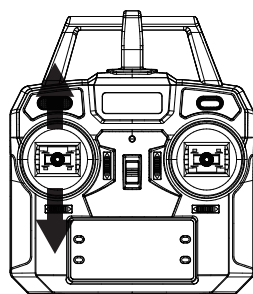
Die Fernsteuerung macht ein „DI“-Geräusch, und die Kontrollleuchten des Hubschraubers und der Fernsteuerung leuchten konstant, was bedeutet, dass die Verbindung erfolgreich war.

4. Ziehen Sie die beiden Joysticks in die äußeren, hinteren Ecken, um den Hubschrauber zu starten. (Sie können auch die Starttaste drücken)

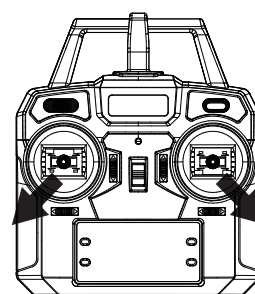
5. Halten Sie die Nase des Hubschraubers nach vorne und halten Sie einen sicheren Abstand zum Hubschrauber. Wenn Sie den Hubschrauber manuell zur Landung steuern, halten Sie bitte den Gashebel 2-3 Sekunden lang hinten und lassen ihn dann los, nachdem der Propeller vollständig zum Stillstand gekommen ist.



Entspricht Schritt

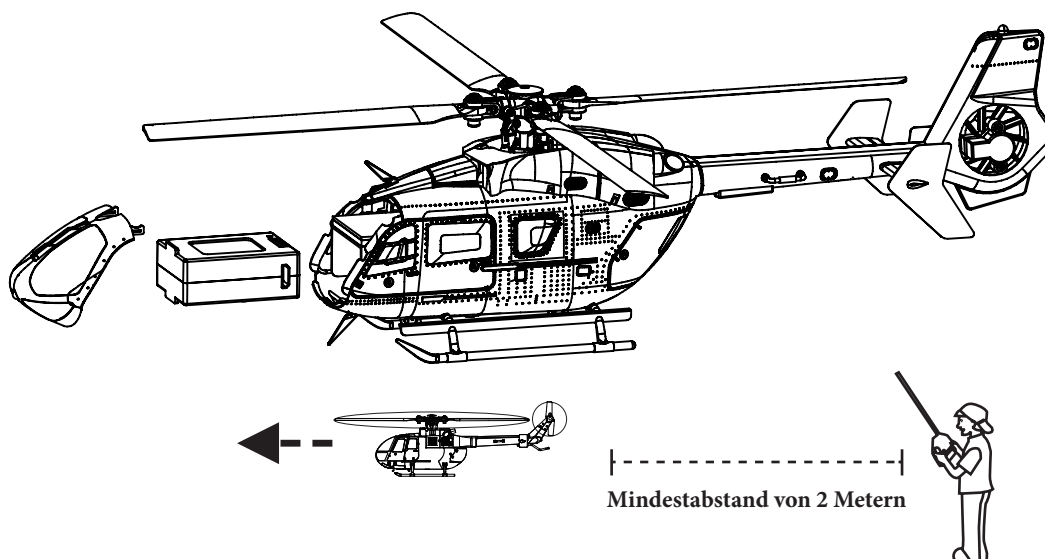


Entspricht Schritt



Entspricht Schritt





**Hinweis:**

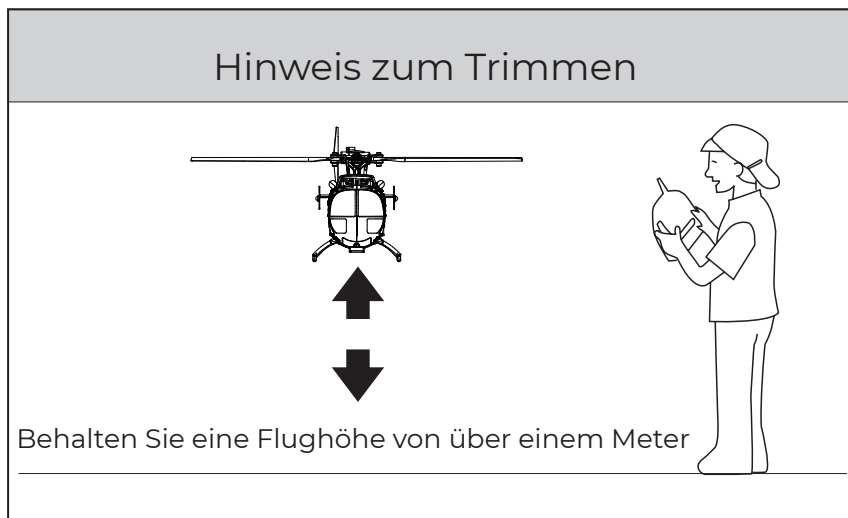
Anfänger sollten auf die Flugrichtung achten. Halten Sie die Nase nach vorne, um Verletzungen zu vermeiden.

## Methode zur Gierkorrektur im Flug

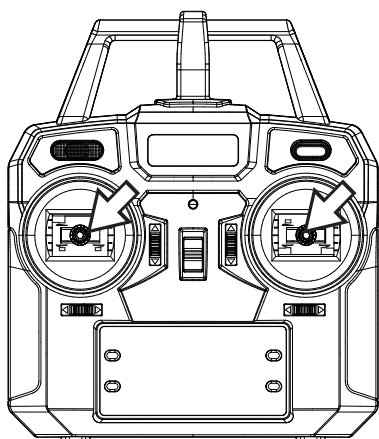
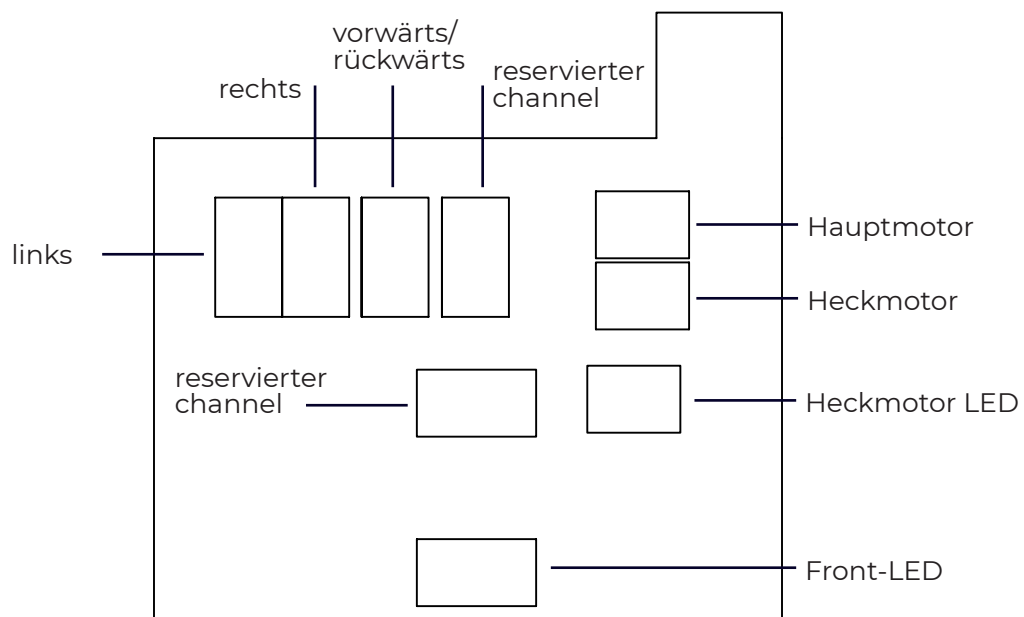
Drücken Sie die Trimm Taste, wenn der Hubschrauber Probleme mit dem Gieren hat.

Heben Sie mit dem Gas-Joystick ab. Je nach Gierrichtung drücken Sie den Feineinstellungsknopf in die entgegengesetzte Richtung, bis der Helikopter schwebt:

|                         |  |  |  |
|-------------------------|--|--|--|
| Vorwärts oder Rückwärts |  |  | Feineinstellung entsprechend der Pfeilrichtung |
| Links oder Rechts       |  |  | Feineinstellung entsprechend der Pfeilrichtung |
| Seitenflug              |  |  | Feineinstellung entsprechend der Pfeilrichtung |



Einführung der entsprechenden Steckdose des Empfängers

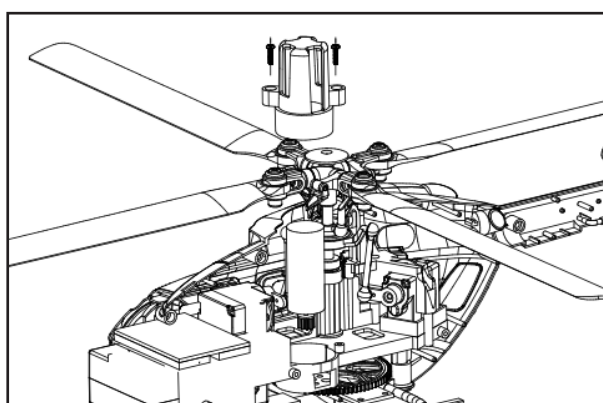
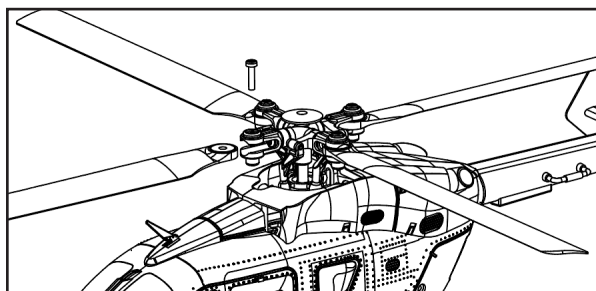


Gyro-Kalibrierungsmethode

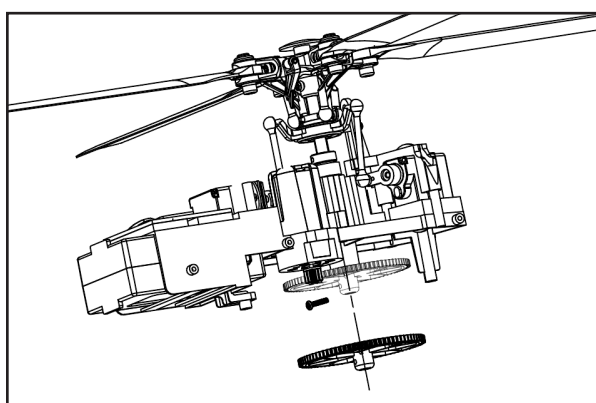
1. Wenn Sie fliegen, landen Sie zuerst und kalibrieren Sie das Gyroskop.
2. Beim Kalibrieren des Gyroskops muss das Flugzeug auf einer ebenen Fläche stehen.
3. Während des Kalibrierungsvorgangs blinkt die Anzeigeleuchte schnell, beim Abheben hört sie auf zu blinken.

## Anleitungen: Austausch häufig verwendeter Teile

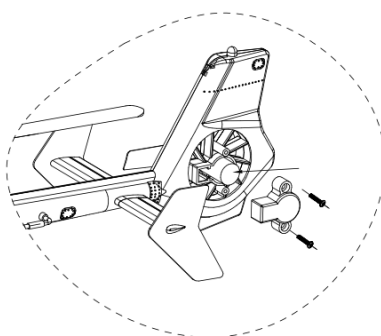
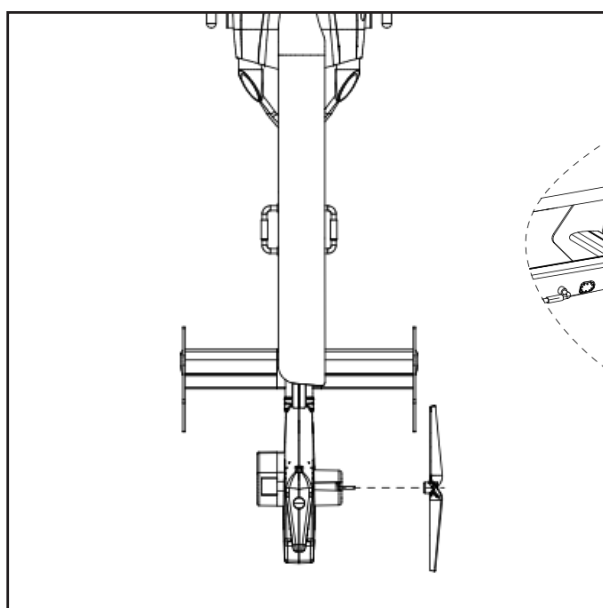
Entfernen Sie den Propeller mit einem Sechskantschlüssel. Achten Sie darauf, dass Sie den Propeller nicht zu fest anziehen.



Stecken Sie den Stecker ab. Anschließend ziehen Sie den Motor durch drehen, links und rechts, heraus.



Ziehen Sie zuerst die Schraube heraus, und dann das große Zahnrad direkt nach unten. Achten Sie beim Einsetzen des neuen Zahnrads auf die Richtung. Die Ebene der Welle sollte mit der Ebene des inneren Lochs des Zahnrads ausgerichtet sein.



Achten Sie beim Aus- und Einbau des Heckrotors auf die Richtung, richten Sie die Motorwelle aus und drücken Sie sie langsam, um eine gleichmäßige Drehung zu gewährleisten.

## Problemlösungen

|   | Problem  | Mögliche Ursache   | Lösung   |
|---|--|--|--|
| 1 | Modell ist eingeschaltet. Rücklicht blinkt, keine Reaktion.  | Der Hubschrauber hat keine Bindung mit dem Sender.   | Binden Sie den Sender erneut   |
| 2 | Nach dem Einschalten des Modell geschieht nichts.  | Prüfen Sie die Stromversorgung von Helikopter und Sender; Prüfen Sie die Batteriespannung vom Hubschrauber und Senders; Batterien haben eine schlechte Verbindung. | Überprüfen Sie die Installation der Batterien des Senders; Verwenden Sie Batterien mit voller Spannung; Legen Sie die Batterien erneut ein; Überprüfen Sie die Verbindung der Batterien. |
| 3 | Gashebel wird betätigt, aber der Motor funktioniert nicht; die Signallampe des Empfängers blinkt ständig | Die Batterie des Hubschraubers hat eine niedrige Spannung; Der Lipo-Akku hat eine schlechte Verbindung.  | Laden oder wechseln Sie die Batterie; Verbinden Sie den Akku erneut mit dem Empfänger.   |
| 4 | Nach dem Einschalten dreht sich das Hauptblatt, aber der Hubschrauber hebt nicht ab.                     | Batterie schwach, keine Rotorblätter; lose oder feststehend  | Laden Sie den Akku auf oder ersetzen ihn durch einen vollständig geladenen Akku  |
| 5 | Der Hubschrauber schüttelt heftig.   | Hauptrotor verformt; Querwelle oder Heckrotor verbogen; Blattklemmschrauben zu fest angezogen, dass sich das Hauptblatt nicht mehr drehen kann.                    | Wechseln Sie das Hauptblatt; Querwelle wechseln; Heckrotor wechseln; Lösen Sie die Blattklemmschraube.   |
| 6 | Hubschrauber dreht sich nach dem Start nach links.   | Der Heckmotor hat eine schlechte Leistung; Die Flügel sind lose; Der Heckmotor war kaputt.   | Prüfen Sie die Verbindung vom Heckmotor und der Motorwelle. Falls lose, wechseln Sie das Heckblatt oder den Heckmotor aus.   |
| 7 | Der Hubschrauber hat ein <b>leichtes</b> Gieren  | einen Bedienungsfehler der Trimmaste   | 1. entsprechend der Gierrichtung den Trimmknopf in die entgegengesetzte Richtung drücken;<br>2. setzen Sie den Schwebepunkt zurück.  |
| 8 | Der Hubschrauber hat ein <b>starkes</b> Gieren.  |  | Prüfen Sie die Taumelscheibe und ob der Servo ordnungsgemäß funktioniert; Checken Sie, ob die Stangen sich gelöst haben.   |



# MSG ONLINE GMBH



## Konformitätserklärung gemäß Richtlinie Radio Equipment Directive (RED) 2014/53/EU

*Declaration of Conformity in accordance with the Radio Equipment Directive (RED) 2014/53/EU*

*Déclaration de conformité selon la directive Radio Equipment Directive (RED) 2014/53/UE*

Hiermit wird erklärt, dass das Produkt:

*I hereby declare that the product:*

*Il est déclaré que le produit:*

**MODSTER EC-135 ÖAMTC Ferngesteuerter Helikopter**

**MODSTER EC-135 Polizei Ferngesteuerter Helikopter**

Artikelnummer:

*Product number:* **295772 (EAN: 4260752718776)**

*Artikelnummer:* **295773 (EAN: 4260752718783)**

Bei bestimmungsgemäßer Verwendung den grundlegenden Anforderungen nach Artikel 3 und den übrigen einschlägigen Bestimmungen der Richtlinie (RED) 2014/53/EU entspricht.

*Complies with the essential requirements and the other relevant provisions of the Directive (RED) 2014/53/EU, when used for its intended purpose.*

*Utilisé selon l'usage prévu est conforme aux exigences essentielles selon l'article 3 ainsi qu'aux autres dispositions pertinentes de la directive (RED) 2014/53/UE.*

In Übereinstimmung mit den folgenden harmonisierten Normen gefertigt:

*Manufactured in accordance with the following harmonised standards:*

*Fabriqué conformément aux normes harmonisées suivantes:*

**EN 62479:2010**

**EN 301 489-1 V2.1.1 (2017-02)**

**EN 301 489-3 V2.2.1 (2017-03)**

**EN 62311 Version 2008**

**EN 300 440 V2.1.1 (2017-03) | EN 62368-1:2014 + A11: 2017**

### Rechtliche Informationen:

RoHS 2-Richtlinie 2011/65 /EU;

RoHS 3-Richtlinie - Änderung 2011/65 / EU-Anhang II 2015/863

Richtlinie 2012/19/EU über Elektro- und Elektronik-Altgeräte

Hersteller / verantwortliche Person: **MSG Online GmbH, Walter Bittdorfer**

*Manufacturer / responsible Person:* **Wirtschaftspark 9**

*Fabricant / personne responsable:* **8530 Deutschlandsberg, Austria**

Walter Bittdorfer

Geschäftsführer / *managing director / directeur général*

place of issue/ date:

**Deutschlandsberg (Austria), 10.06.2022**

*Fait à / le:*



# **EC-135**

**MSG ONLINE GMBH  
WIRTSCHAFTSPARK 9  
A-8530 DEUTSCHLANDSBERG**

**FIRMENBUCH GRAZ FN315230Z • UID-NR. ATU 64361513  
EVA-PARTNERNUMMER: 152216  
ARA LIZENZNUMMER: 17749 • GRS NUMMER: 110072576  
INTERSEROH HERSTELLER ID (EAR): 152204  
WEE REG.-NR. DE 44576630**